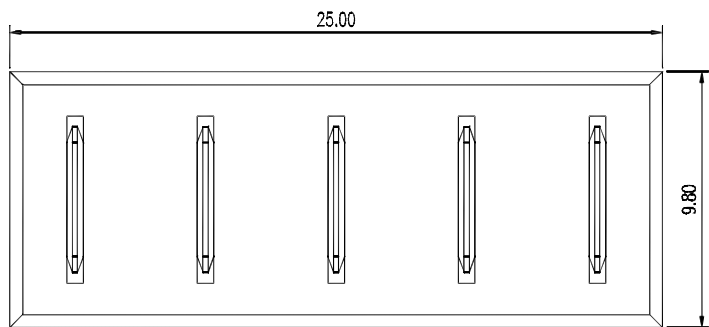
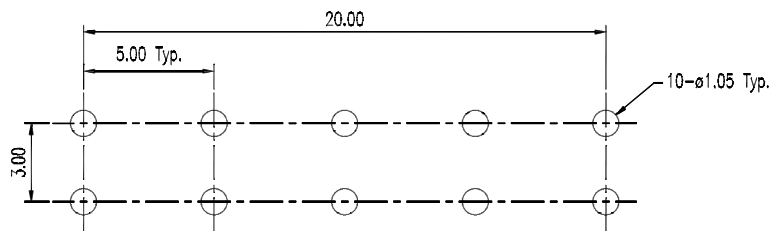
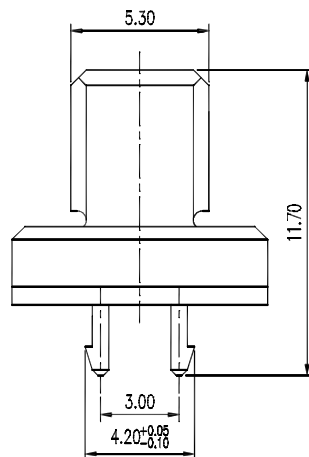
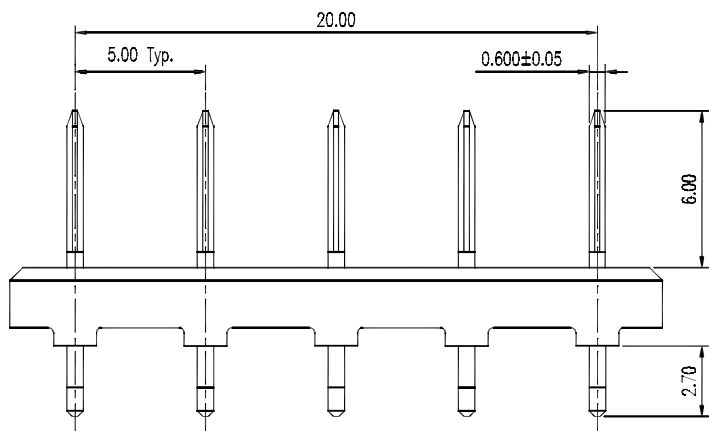


REV.	DESCRIPTION	DATE
A	New Drawing	2023/09/23

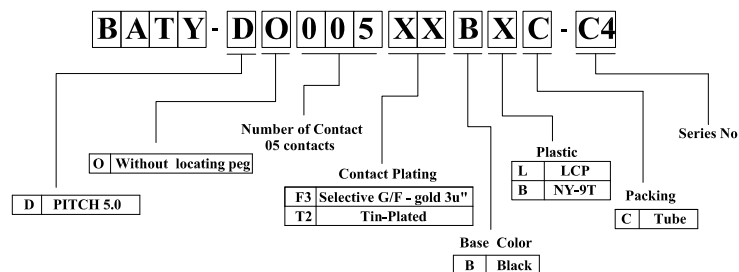


Notes:

- Material:  
Housing: Thermoplastic UL 94V-0, Black  
Terminal: Copper Alloy
- Finish:  
Terminal: Selected Gold or 100u" Min. Tin on Contact Area, G/F or 100u" Min. Tin on Solder Tails, Both over 50u" Min. Nickel Under-plated Overall



Recommended P.C.B. Layout  
Layout Tolerance = ± 0.05 mm



竣豪電子股份有限公司  
**Superior Tech Co., Ltd.**

General Tolerance

X. ± 0.5	DRAWN Jacky
.X ± 0.3	
.XX ± 0.2	CHECK Tom
.XXX ± 0.1	
角度 ± 5°	APPROVED Tom

TITLE

PITCH 5.0mm BATTERY Male CONNECTOR

DATE	NO.
09-23-23'	T091
DATE	PART NO.
09-23-23'	BATY-DO005XXBXC-C4
DATE	CUSTOMER NO.
09-23-23'	

REV.	UNIT	SCALE
A	mm	1:1

