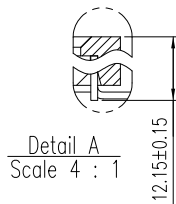
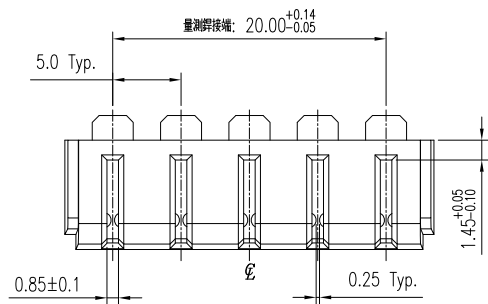
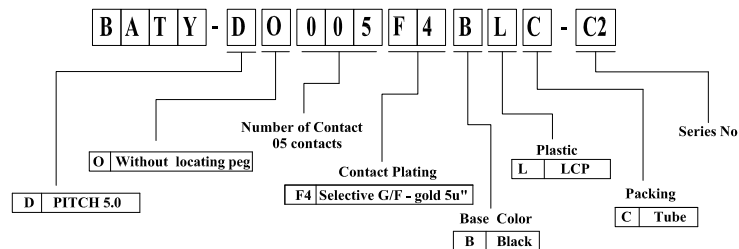
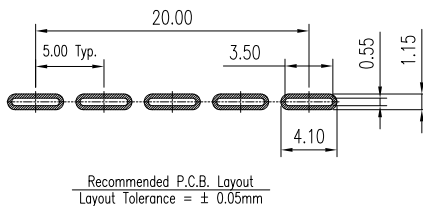
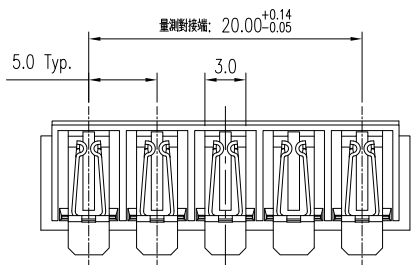
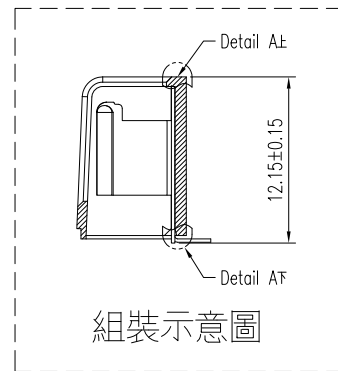
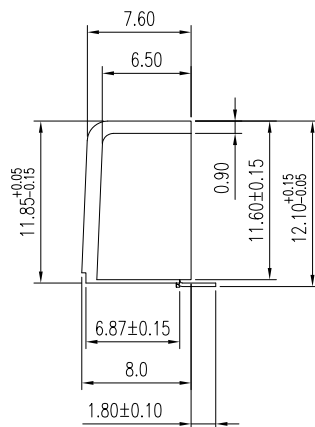
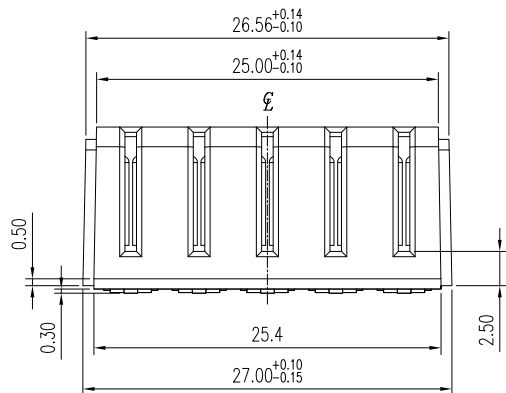


REV.	DESCRIPTION	DATE
A	New Drawing	2023/09/21



Notes:

- 材質: 膠芯: LCP+ 30% G.F., UL 94V-0, 黑色  
端子: Copper Alloy, 板厚 = 0.25 ± 0.01mm
- 電鍍: 對接區: 選鍍金  
銲接區: Gold Flash  
鍍底: 40u" Min.



竣豪電子股份有限公司  
**Superior Tech Co., Ltd.**

General Tolerance		TITLE	PITCH 5.0mm BATTERY CONNECTOR	
X. ± 0.5		DRAWN	DATE	NO.
.X ± 0.3		Jacky	09-21-23'	T091
.XX ± 0.2		CHECK	DATE	PART NO.
.XXX ± 0.1		Tom	09-21-23'	BATY-DO005F4BLC-C2
角度	± 5°	APPROVED	DATE	CUSTOMER NO.
		Tom	09-21-23'	

REV.	UNIT	SCALE
A	mm	1:1

