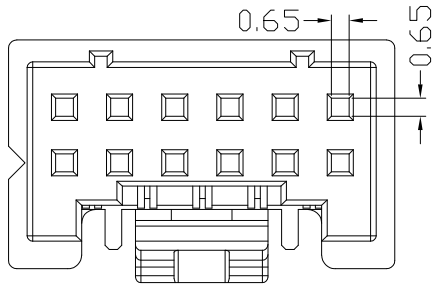
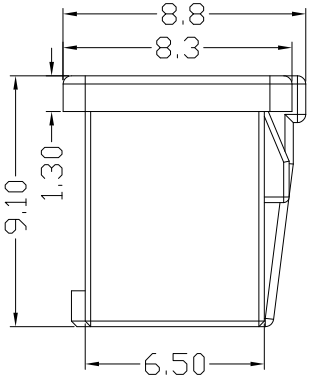
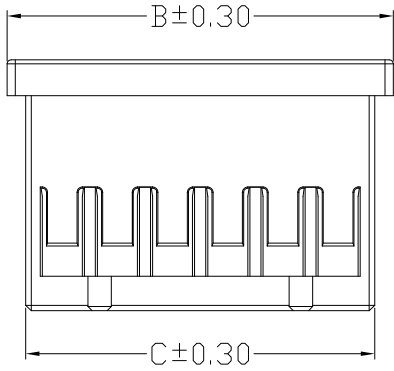
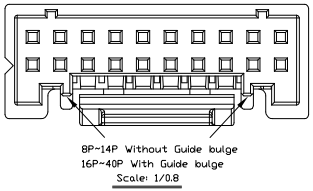
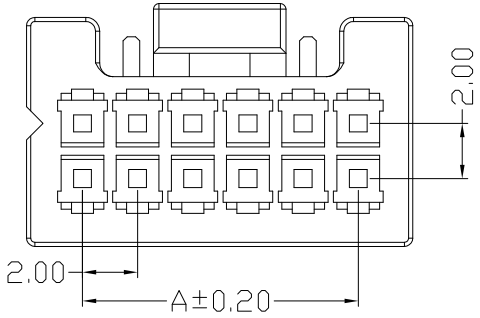


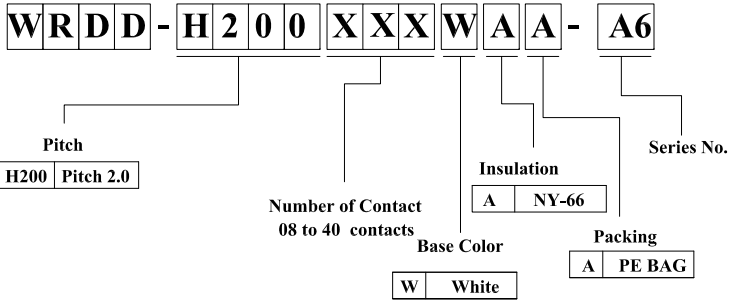
| REV. | DESCRIPTION | DATE |
|------|-------------|------------|
| A | New Drawing | 2023/08/25 |

NOTE:
 Current rating:3A AC,DC
 Voltage rating:250V AC,DC
 Temperature range:-25℃~+85℃
 Insulation resistance:1000MΩ/Min
 Withstanding voltage:1000V AC/minute
 Contact resistance:10mΩ/Max

Wafer:WRDD-DDXXXT2NNXX-X-A4
Housing:WRDD-H200XXXWAA-A6
Terminal:CU-PT2-X-A6



| CSG PART NO. | Dimension mm | | |
|--------------|--------------|-------|-------|
| | A | B | C |
| 2*4Pin | 6.00 | 10.00 | 8.65 |
| 2*5Pin | 8.00 | 12.00 | 10.65 |
| 2*6Pin | 10.00 | 14.00 | 12.65 |
| 2*7Pin | 12.00 | 16.00 | 14.65 |
| 2*8Pin | 14.00 | 18.00 | 16.65 |
| 2*9Pin | 16.00 | 20.00 | 18.65 |
| 2*10Pin | 18.00 | 22.00 | 20.65 |
| 2*11Pin | 20.00 | 24.00 | 22.65 |
| 2*12Pin | 22.00 | 26.00 | 24.65 |
| 2*13Pin | 24.00 | 28.00 | 26.65 |
| 2*14Pin | 26.00 | 30.00 | 28.65 |
| 2*15Pin | 28.00 | 32.00 | 30.65 |
| 2*16Pin | 30.00 | 34.00 | 32.65 |
| 2*17Pin | 32.00 | 36.00 | 34.65 |
| 2*18Pin | 34.00 | 38.00 | 36.65 |
| 2*19Pin | 36.00 | 40.00 | 38.65 |
| 2*20Pin | 38.00 | 42.00 | 40.65 |



RoHS

竣豪電子股份有限公司
Superior Tech Co., Ltd.

| | | | | | |
|-------------------|------------|----------|---------------|--------------------------------|-----------|
| General Tolerance | X. ± 0.5 | TITLE | PH2.0 Housing | NO. | |
| | .X ± 0.3 | DRAWN | Tom | | DATE |
| | .XX ± 0.2 | CHECK | | | 08-25-23' |
| | .XXX ± 0.1 | APPROVED | | | DATE |
| 角度 | ± 5° | | | PART NO. WRDD-H200XXXWAA-A6 | |
| | | | | CUSTOMER NO. | |

| | | | |
|------|------|-------|--|
| REV. | UNIT | SCALE | |
| A | mm | 1:1 | |