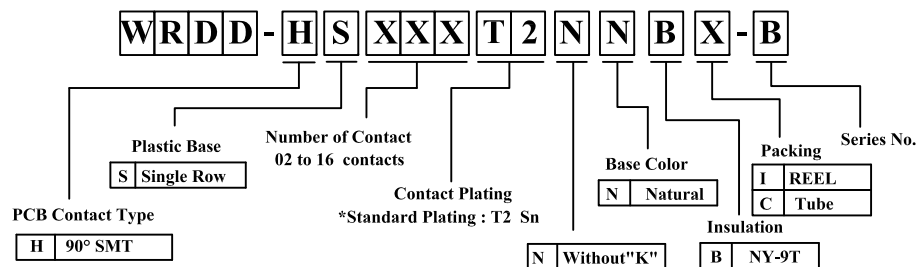
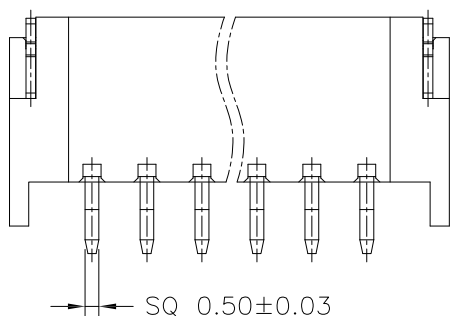
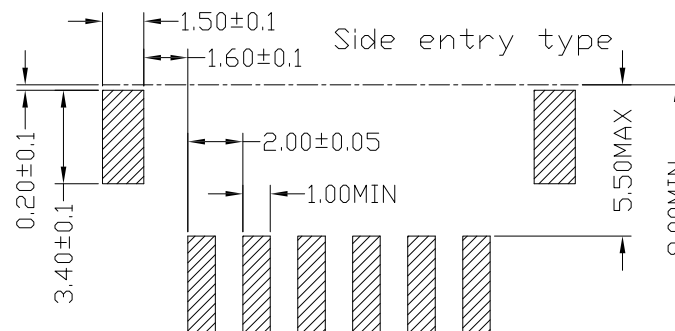
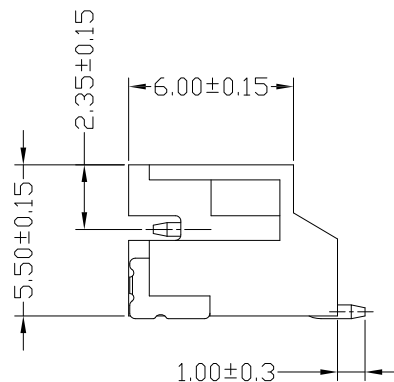
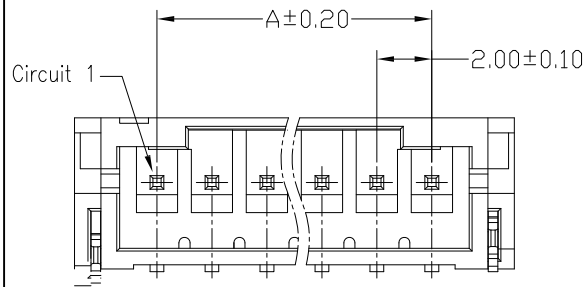


Wafer:WRDD-DSXXXT2OWAA-B
Wafer:WRDD-RSXXXT2OWAA-B
Wafer:WRDD-SSXXXT2NNBX-B
Wafer:WRDD-HSXXXT2NNBX-B
Housing:WRDD-H200XXXWAA-B
Terminal:CU-PT2-B

REV.	DESCRIPTION	DATE
A	New Drawing	2017/07/19
B	更改連接方式編碼	2021/09/10

NOTES:
 CURRENT RATING: 2A AC/DC.
 VOLTAGE RATING: 100V AC/DC
 TEMPERATURE RANGE: -25°C~+85°C.
 CONTACT RESISTANCE: 20MΩ Max.
 INSULATION RESISTANCE: 1000MΩ Min.
 WITHSTANDING VOLTAGE: 1000V AC/MINUTE.
 MATERIAL: PA9T.U194V-0



PART NO.	Dimensions	
	A	B
02P	2.00	8.00
03P	4.00	10.00
04P	6.00	12.00
05P	8.00	14.00
06P	10.00	16.00
07P	12.00	18.00
08P	14.00	20.00
09P	16.00	22.00
10P	18.00	24.00
11P	20.00	26.00
12P	22.00	28.00
13P	24.00	30.00
14P	26.00	32.00
15P	28.00	34.00
16P	30.00	36.00

RoHS compliant:

竣豪電子股份有限公司
Superior Tech Co., Ltd.

General Tolerance		TITLE	WAFER PH2.0 90D SMT	
X. ± 0.5		DRAWN	DATE	NO.
.X ± 0.3		Jacky	09-10-21'	D076
.XX ± 0.2		CHECK	DATE	PART NO.
.XXX ± 0.1		Tom	09-10-21'	WRDD-HSXXXT2NNBX-B
角度 ± 5°		APPROVED	DATE	CUSTOMER NO.
		Joe	09-10-21'	

REV.	UNIT	SCALE	
A	mm	1:1	

(Q2-R03-01A) ST-R05-07