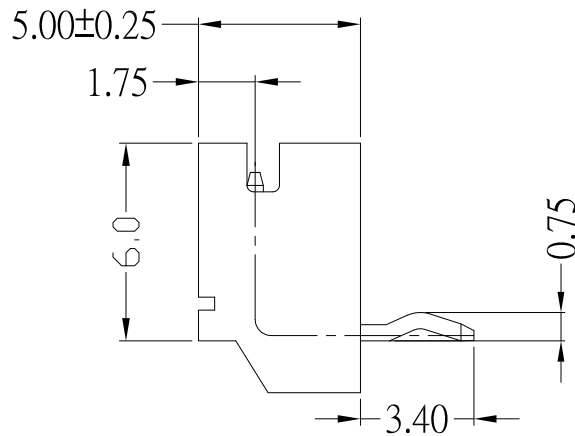
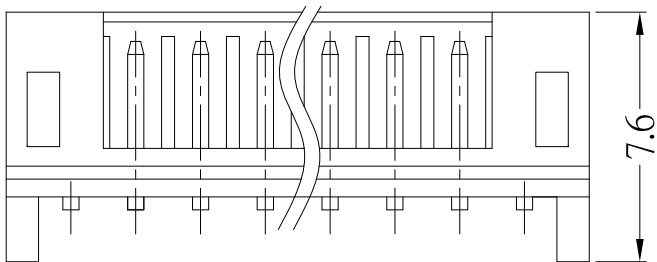


PIN 0.5 SQ

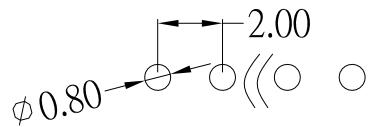
Insulator: Nylon 66 UL94V-0
 Color: White
 Conductor: Brass/Tin plated
 CURRENT RATING: 2A AC/DC.
 VOLTAGE RATING: 100V AC/DC
 TEMPERATURE RANGE: -25°C~+85°C.
 CONTACT RESISTANCE: 20MΩ Max.
 INSULATION RESISTANCE: 1000MΩ Min.
 WITHSTANDING VOLTAGE: 1000V AC/MINUTE.



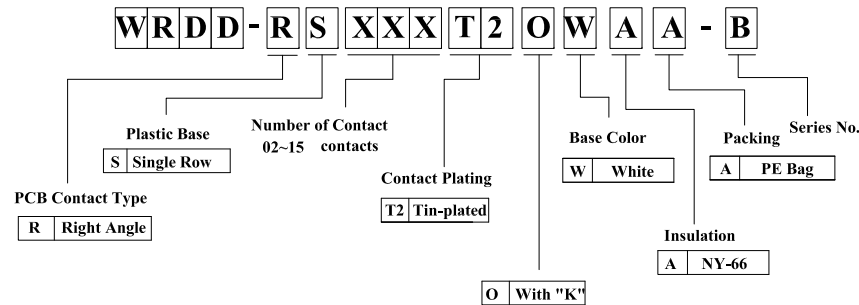
| REV. | DESCRIPTION | DATE |
|------|-------------|------------|
| A | New Drawing | 2021/09/11 |

Wafer: WRDD-DSXXXT2OWAA-B
Wafer: WRDD-RSXXXT2OWAA-B
Wafer: WRDD-SSXXXT2NNBX-B
Wafer: WRDD-HSXXXT2NNBX-B
Housing: WRDD-H200XXXWAA-B
Terminal: CU-PT2-B

| CIRCUITS | Dim.A | Dim.B |
|----------|-------|-------|
| 2 | 2.00 | 6.0 |
| 3 | 4.00 | 8.0 |
| 4 | 6.00 | 10.0 |
| 5 | 8.00 | 12.0 |
| 6 | 10.00 | 14.0 |
| 7 | 12.00 | 16.0 |
| 8 | 14.00 | 18.0 |
| 9 | 16.00 | 20.0 |
| 10 | 18.00 | 22.0 |
| 11 | 20.00 | 24.0 |
| 12 | 22.00 | 26.0 |
| 13 | 24.00 | 28.0 |
| 14 | 26.00 | 30.0 |
| 15 | 28.00 | 32.0 |



P.C.B. LAYOUT



RoHS compliant

竣豪電子股份有限公司
Superior Tech Co., Ltd.

| General Tolerance | |
|-------------------|-------|
| X. | ± 0.5 |
| .X | ± 0.3 |
| .XX | ± 0.2 |
| .XXX | ± 0.1 |
| 角度 | ± 5° |

| TITLE | WAFER PH2.0 Right Angle | | |
|----------|-------------------------|--------------------|--|
| DRAWN | DATE | NO. | |
| Jacky | 09-11-21' | D076 | |
| CHECK | DATE | PART NO. | |
| Tom | 09-11-21' | WRDD-RSXXXT2OWAA-B | |
| APPROVED | DATE | CUSTOMER NO. | |
| Joe | 09-11-21' | | |

| REV. | UNIT | SCALE | |
|------|------|-------|--|
| A | mm | 1:1 | |