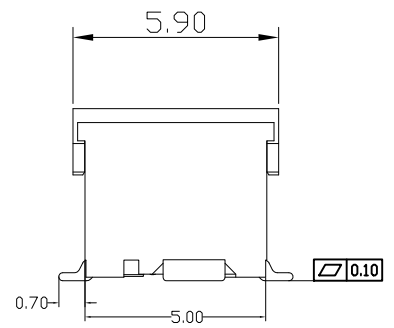
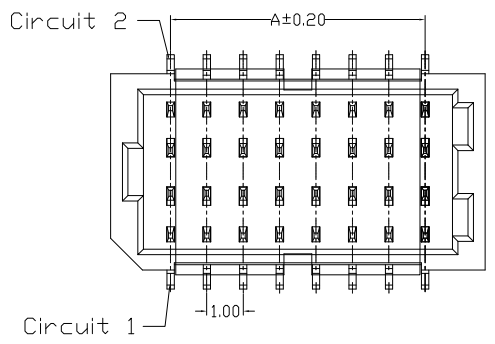
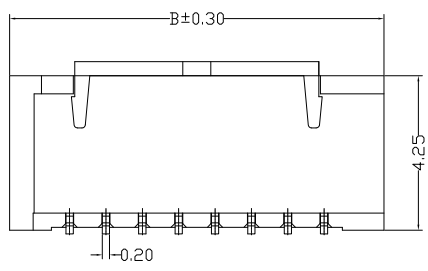
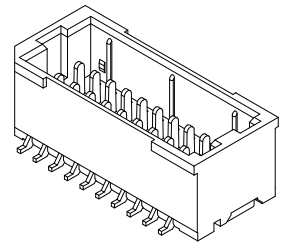
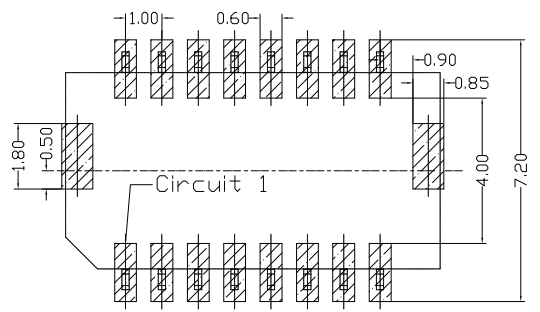


REV.	DESCRIPTION	DATE
A	New Drawing	2018/05/14
B	圖面更新	2023/11/20



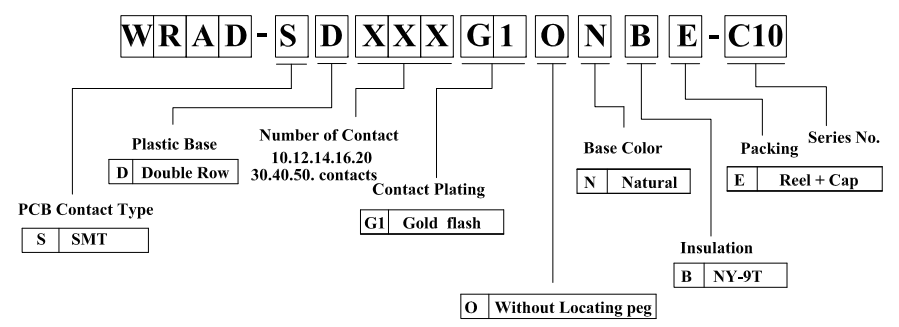
SPECIFICATIONS
 Applicable Wire:AWG#28-#32
 Voltage Rating: 50V AC,DC
 Current Rating: 1A AC DC
 Withstanding Voltage: 500V AC/minute
 Contact Resistance: 20mΩ Max.
 Insulation Resistance: 100MΩ Min.
 Temperature Range: -25°C ~ +85°C
 Insulator:NY-9T UL94-V0
 Contact PIN:Phosphor bronze
 Solder tab:Brass

Wafer:WRAN-SDXXXG1NNBI-S
 Wafer:WRAD-SDXXXG1ONBE-C10
 Housing:WRAN-H100XXXWAA-W-A10
 Terminal:CU-PXX-C10



Recommended P.C.B Layout
 General Tolerance±0.05

PART NO.	Dimension mm		Q'ty/Reel
	A	B	
10	4.00	7.30	1000PCS
12	5.00	8.30	
14	6.00	9.30	
16	7.00	10.30	
20	9.00	12.30	
30	14.00	17.30	
40	19.00	22.30	
50	24.00	27.30	



RoHS compliant

竣豪電子股份有限公司
Superior Tech Co., Ltd.

General Tolerance		TITLE	Wafer 1.0 SMT 帶焊片 . H:4.35mm	
X. ± 0.5		DRAWN	DATE	NO.
.X ± 0.3		Jacky	11-20-23'	D080
.XX ± 0.2		CHECK	DATE	PART NO.
.XXX ± 0.1		Tom	11-20-23'	WRAD-SDXXXG1ONBE-C10
角度 ± 5°		APPROVED	DATE	CUSTOMER NO.
		Tom	11-20-23'	

REV.	UNIT	SCALE	
B	mm	4:1	