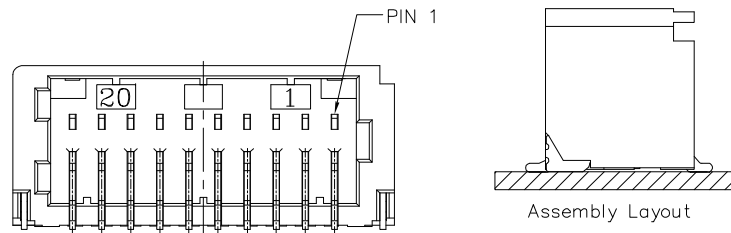


REV.	DESCRIPTION	DATE
A	New Drawing	2018/04/26



Assembly Layout

NOTE:
 Current rating:1A AC,DC
 Voltage rating:50V AC,DC
 Temperature range:-25℃~+85℃
 Insulation resistance:100MΩ/Min
 Withstanding voltage:500V AC/minute
 Contact resistance:20mΩ/Max
 PIN:Brass/Gold-Plated

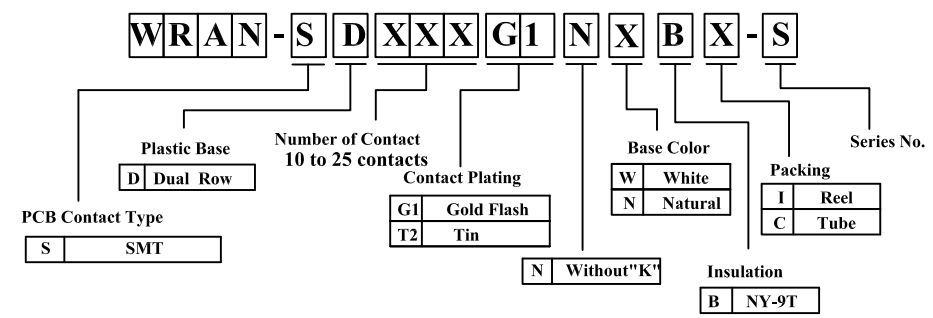
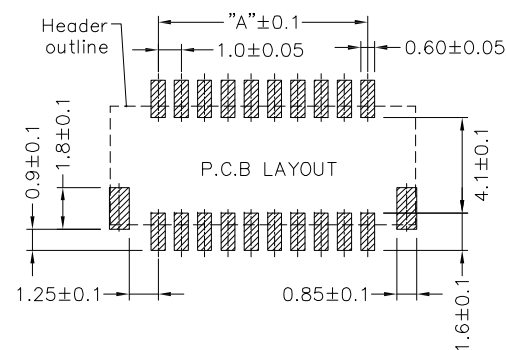
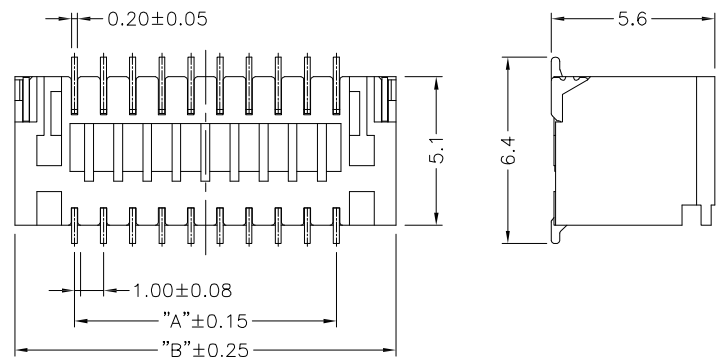


TABLE:

CSG PART NO.	Dimension mm		Q'ty
	A	B	
10	9.00	13.10	1000PCS
15	14.00	18.10	1000PCS
20	19.00	23.10	1000PCS
25	24.00	28.10	1000PCS

竣豪電子股份有限公司
Superior Tech Co., Ltd.

General Tolerance		TITLE	PH1.00 Dual Rows SMT	
X. ± 0.5		DRAWN Andy	DATE	NO.
.X ± 0.3			04-26-18'	D080
.XX ± 0.2		CHECK	DATE	PART NO.
.XXX ± 0.1				WRAN-SDXXXG1NXXBXS
角度	± 5°	APPROVED	DATE	CUSTOMER NO.

REV.	UNIT	SCALE	
A	mm	2:1	