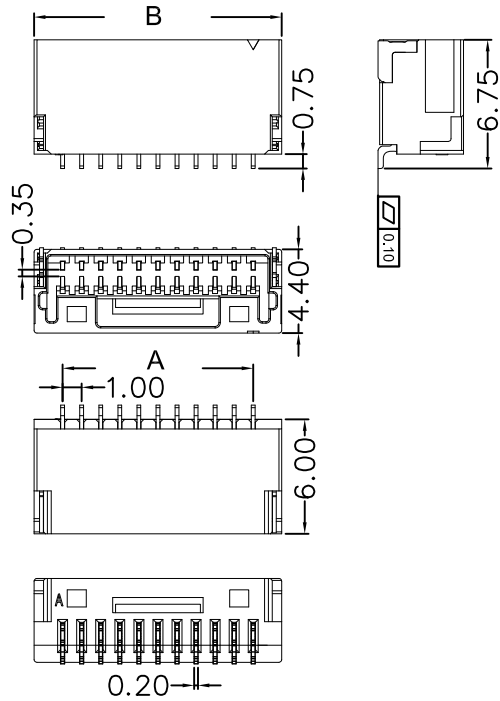
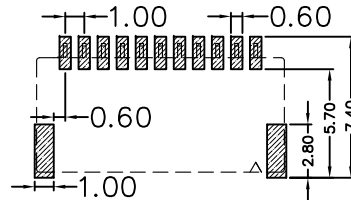


REV.	DESCRIPTION	DATE
A	New Drawing	2022/06/22



NOTE:
 Current rating:1A AC,DC
 Voltage rating:50V AC,DC
 Temperature range:-25℃~+85℃
 Insulation resistance:100M Ω/Min
 Withstanding voltage:500V AC/minute
 Contact resistance:30m Ω/Max

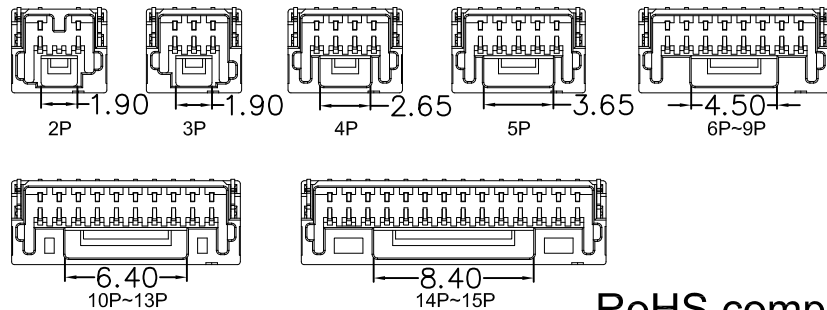


Recommended P.C.B Layout
 General Tolerance±0.05

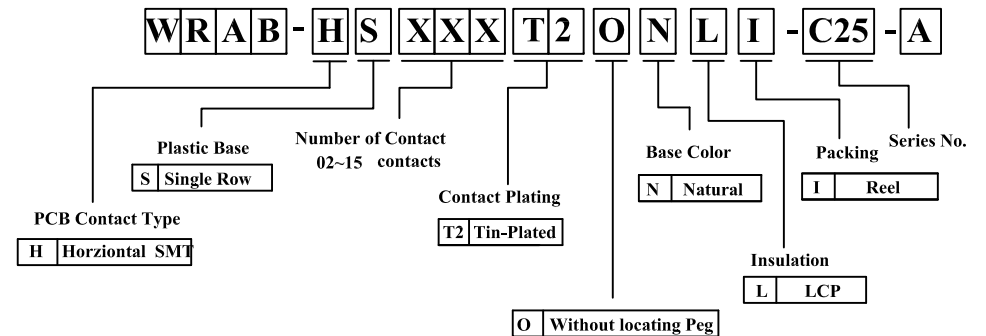
TABLE:

PIN NO.	Dimension mm		Q'ty/BAG
	A	B	
2	2.00	5.00	1000PCS
3	2.00	5.00	1000PCS
4	3.00	6.00	1000PCS
5	4.00	7.00	1000PCS
6	5.00	8.00	1000PCS
7	6.00	9.00	1000PCS
8	7.00	10.00	1000PCS
9	8.00	11.00	1000PCS
10	9.00	12.00	1000PCS
11	10.00	13.00	1000PCS
12	11.00	14.00	1000PCS
13	12.00	15.00	1000PCS
14	13.00	16.00	1000PCS
15	14.00	17.00	1000PCS

Wafer:WRAB-SSXXXT2ONLE-C25-A
 Wafer:WRAB-HSXXXT2ONLI-C25-A
 Housing:WRAB-H100XXXNAA-C25-A
 Terminal:CU-PXX-C25-A



RoHS compliant



竣豪電子股份有限公司
Superior Tech Co., Ltd.

General Tolerance	TITLE			WAFER PH1.0 臥式SMT H4.4
	X. ± 0.5	DRAWN	DATE	NO.
	.X ± 0.3	Jacky	06-22-22'	D080
	.XX ± 0.2	CHECK	DATE	PART NO.
	.XXX ± 0.1	Tom	06-22-22'	WRAB-HSXXXT2ONLI-C25-A
角度	± 5°	APPROVED	DATE	CUSTOMER NO.
		Tom	06-22-22'	

REV.	UNIT	SCALE	
A	mm	1:1	