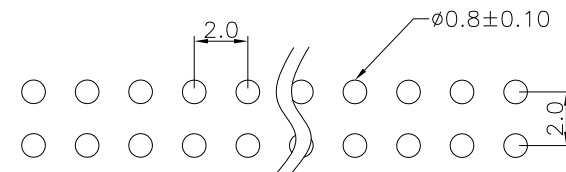
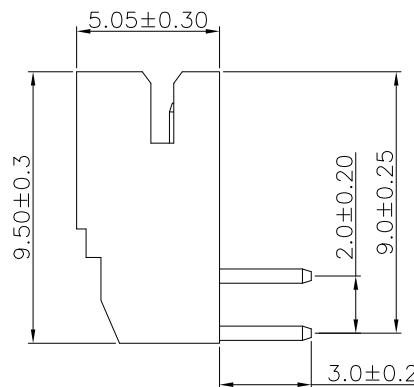
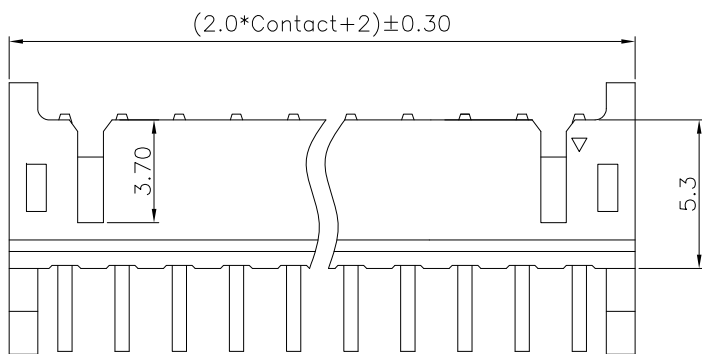
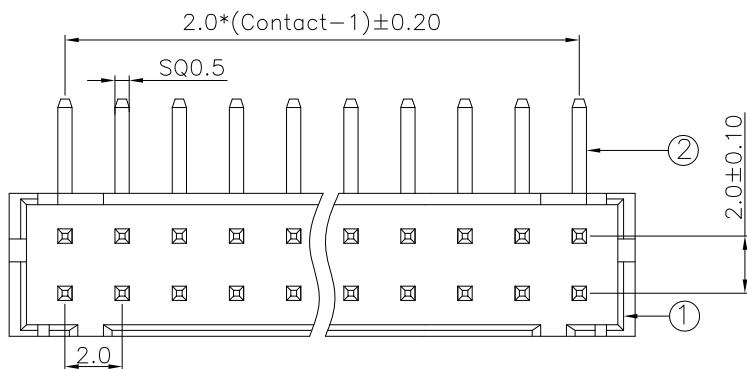


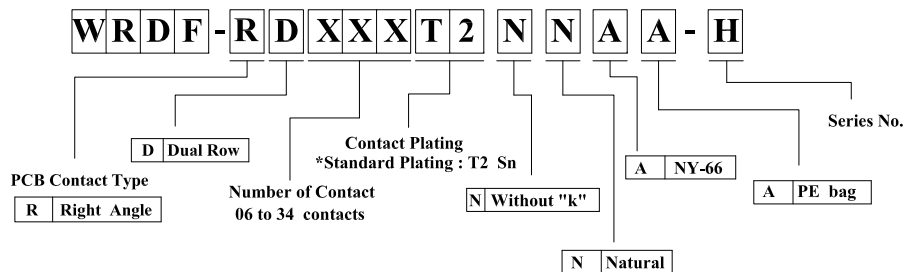
REV.	DESCRIPTION	DATE
A0	New Drawing	2008/08/14

LTR	Part Name	Material	Description	QTY
1	Housing	NY-66 UL94V-0	Initial : 1000M Ohms Min.	1
2	Contact	Brass C2680	Current Rating : 2.0A Initial : 20m Ohms Max.	XX

Temperature Rating : -25°C ~ +85°C .
Dielectric Withstanding Voltage : 800V AC/Min



P.C.B LAYOUT



RoHS compliant

竣豪電子股份有限公司
Superior Tech Co., Ltd.

General Tolerance		TITLE		Wafer PH2.00mm Disconnectable crimp style connectors	
X. ± 0.5		DRAWN		DATE	NO.
.X ± 0.3		SUNCUI		08-14-08'	D009
.XX ± 0.2		CHECK		DATE	PART NO.
.XXX ± 0.1		APPROVED		DATE	WRDF-RD020T2NNA-H
角度	± 5°				CUSTOMER NO.

REV.	UNIT	SCALE	
A0	mm	N/A	