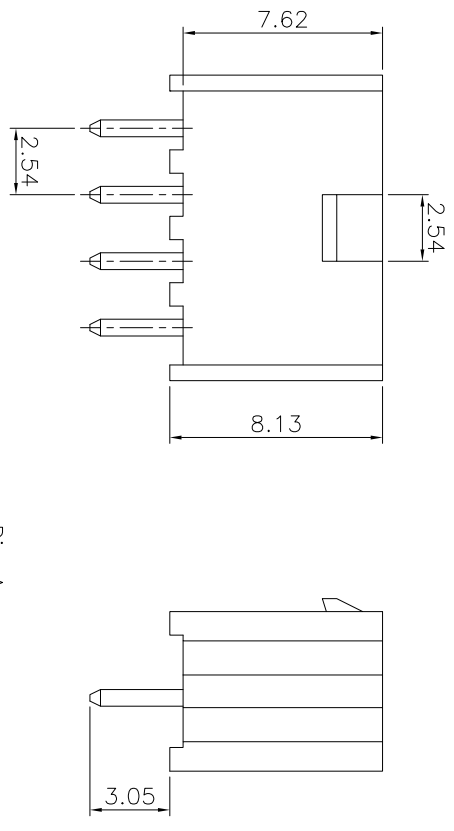
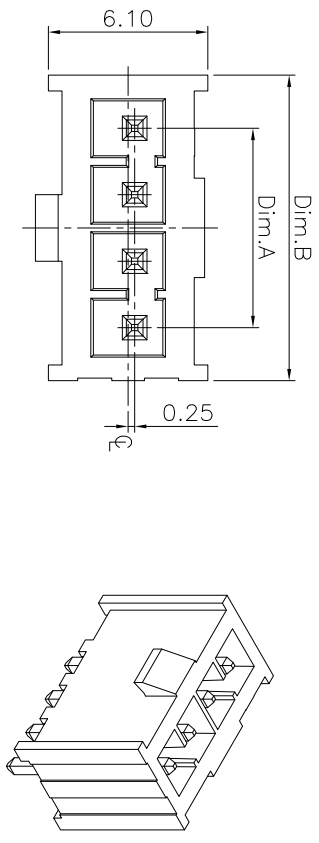


REV.	DESCRIPTION	DATE
A	New Drawing	2023/11/27



P.C.B. Layout

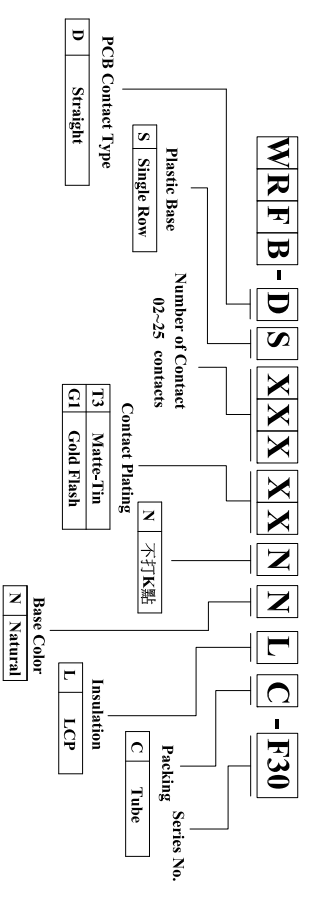
Specifications:
 Current Rating: 3.0A AC,DC
 Voltage Rating: 675V AC,DC
 Contact Resistance: 20m ohm.Max
 Insulation Resistance: 1000M ohm.Min
 Withstanding Voltage: 1000V AC/Minute
 Operating Temperature Range: -55°C~+125°C

Material:
 Insulator: LCP(UL94V-0)
 Insulator Color: Natural
 Contact: Brass
 Plated: Gold/Matte Tin Plated

Wafer:WRFB-DSXXXXXXXXNLC-F30
 Wafer:WRFB-RSXXXXXXXXNLC-F30
 Housing:WRFB-H254XXXXWAA-F30
 Terminal:CU-PXX-F28

Dimension Information:

Pin.No	Dim.A	Dim.B	Pin.No	Dim.A	Dim.B
2	2.54	6.60	14	33.02	37.08
3	5.08	9.14	15	35.56	39.62
4	7.62	11.68	16	38.10	42.16
5	10.16	14.22	17	40.64	44.70
6	12.70	16.76	18	43.18	47.24
7	15.24	19.30	19	45.72	49.78
8	17.78	21.84	20	48.26	52.32
9	20.32	24.38	21	50.80	54.86
10	22.86	26.92	22	53.34	57.40
11	25.40	29.46	23	55.88	59.94
12	27.94	32.00	24	58.42	62.48
13	30.48	34.54	25	60.96	65.02



ROHS compliant

Superior Tech Co., Ltd.

REV.	UNIT	SCALE	ANGLE
A	mm	1:1	± 5°

General Tolerance		TITLE	DATE	NO.
X ± 0.5		WAFER PH2.54 ,DIP,LCP料 DC=3.05mm	11-27-23'	T230
.X ± 0.3			11-27-23'	
.XX ± 0.2				
.XXX ± 0.1				
角度				

(Q2-R03-01A) ST-R05-07