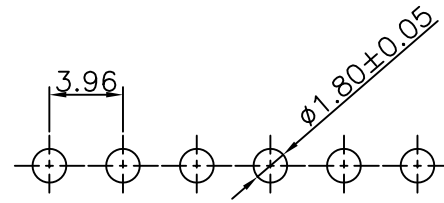
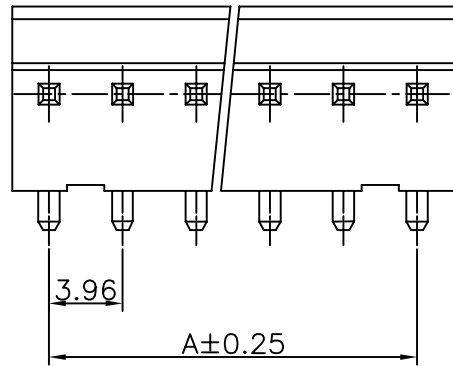
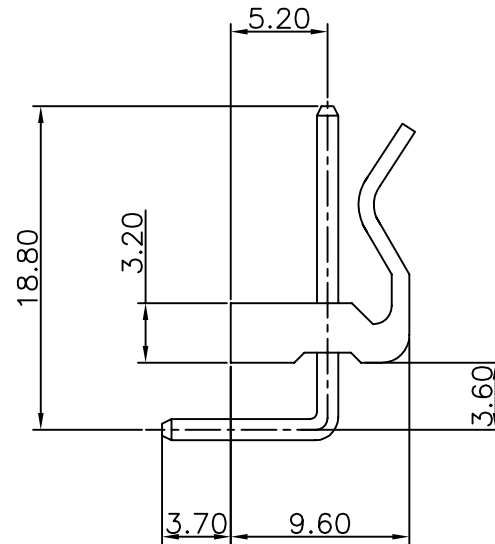
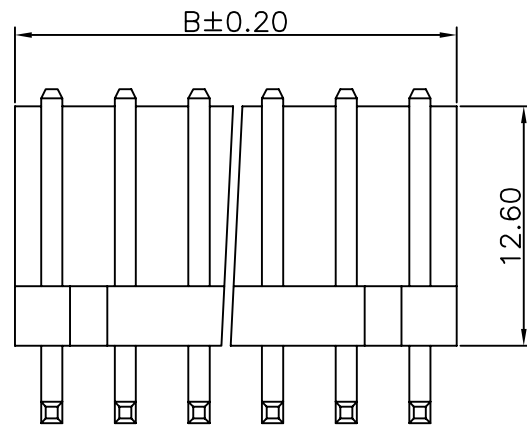


REV.	DESCRIPTION	DATE
A0	New Drawing	2006/10/2



P.C.B LAYOUT



Contacts	Dimension mm (in.)	
	A	B
2	3.96	8.00
3	7.92	12.00
4	11.88	15.90
5	15.84	20.00
6	19.80	24.00
7	23.76	27.90
8	27.72	31.90
9	31.68	35.80
10	35.64	39.90
11	39.60	43.90
12	43.56	47.80
13	47.52	51.80
14	51.48	55.70
15	55.44	59.80
16	59.40	63.80
17	63.36	67.70
18	67.32	71.70
19	71.28	75.60
20	75.24	79.80

SPECIFICATIONS

Electrical

Current Rating: 5A AC, DC

Voltage Rating: 250V AC, DC

Operating Temp.: -25°C ~ +85°C

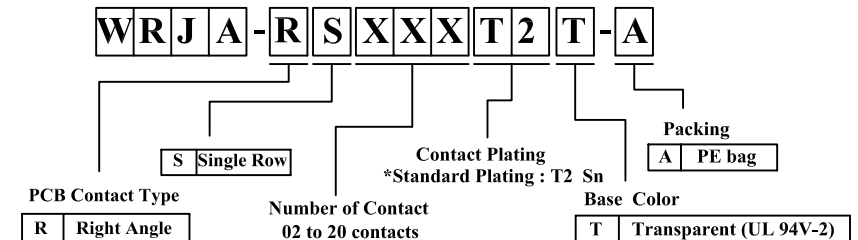
Insulation Resistance: 1000MΩ min.

Dielectric Withstanding Voltage: 1500V AC/ min.

Contact Resistance: 10mΩ max.

Material

Material: Nylon66, UL94V-2



竣豪電子股份有限公司
Superior Tech Co., Ltd.

General Tolerance TITLE 3.96mm(0.155") Wafer, Right Angle Single Row 02 to 20 Contacts

X. ± 0.5	DRAWN YangFeng	DATE 01-26-07'	DWG. NO. WRH002
.X ± 0.3	CHECK Hanping	DATE 01-26-07'	PART NO. WRJA-RSXXXT2T-A
.XX ± 0.2	APPROVE YEH	DATE 01-26-07'	CUSTOMET NO.
.XXX ± 0.1	角度 ± 5°		

REV.	UNIT	SCALE	
A0	mm	3:1	