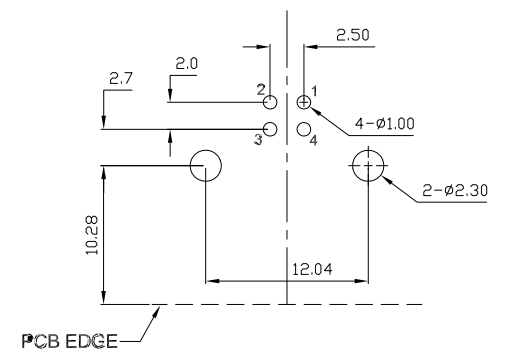
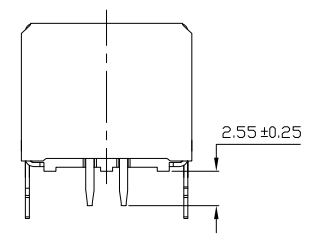
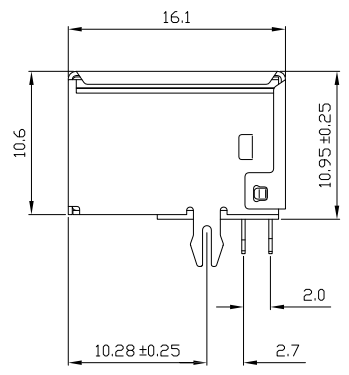
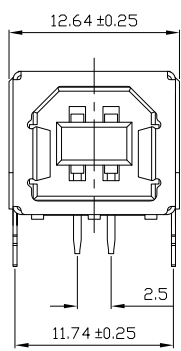
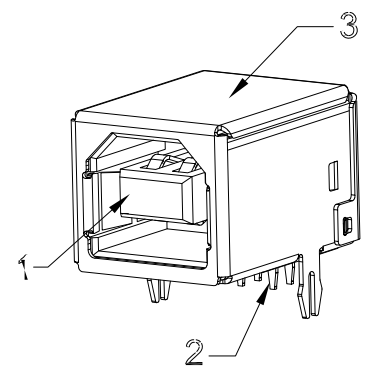
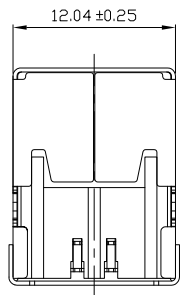


REV.	DESCRIPTION	DATE
A	New Drawing	2022/12/09

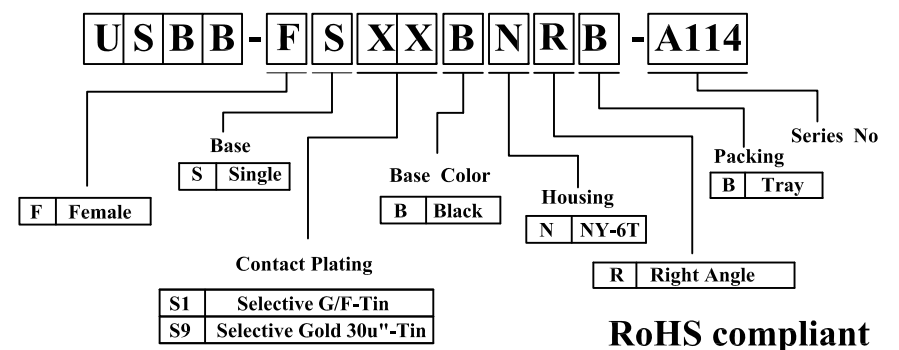


RECOMMENDED PCB LAYOUT
TOP VIEW
TOLERANCE: ±0.05mm
PCB THICKNESS: 1.60 ± 0.05mm



Bill of materials:

NO	PARTS	MATERIAL	FINISHING
3	SHELL	COPPER ALLOY	PLATED NICKEL
2	TERMINAL	COPPER ALLOY	PLATED GOLD/TIN
1	HOUSING	High-Thernoplastic	



Contact Plating

S1	Selective G/F-Tin
S9	Selective Gold 30u"-Tin

RoHS compliant

竣豪電子股份有限公司
Superior Tech Co., Ltd.

General Tolerance		TITLE	USB B TYPE 帶魚叉腳, NY-6T料 DC=2.55	
X.	± 0.5	DRAWN	DATE	NO.
.X	± 0.3	Jacky	12-09-22'	T007
.XX	± 0.2	CHECK	DATE	PART NO.
.XXX	± 0.1	Tom	12-09-22'	USB B-FSXXBNRB-A114
角度	± 5°	APPROVED	DATE	CUSTOMER NO.
		Tom	12-09-22'	

REV.	UNIT	SCALE	
A	mm	1:1	

(Q2-R03-01A) ST-R05-07