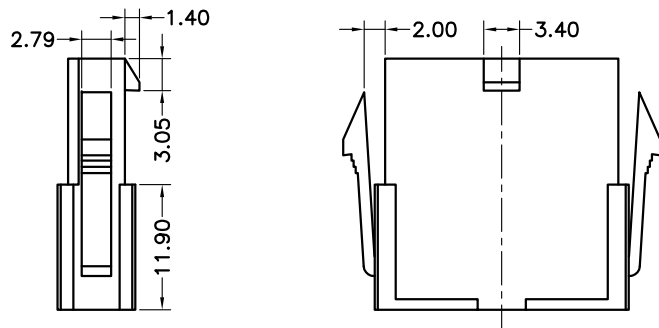
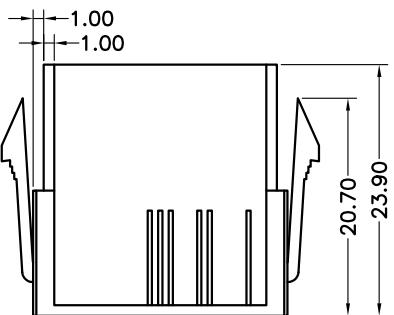
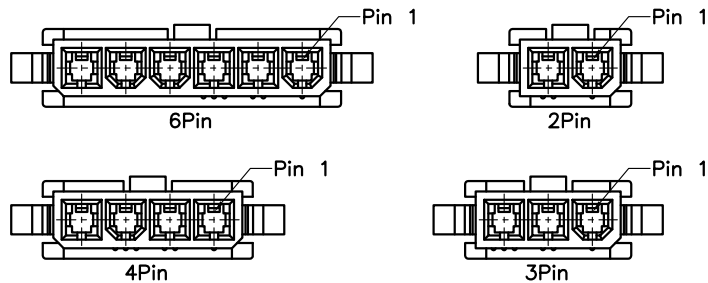
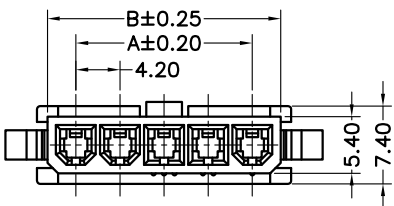
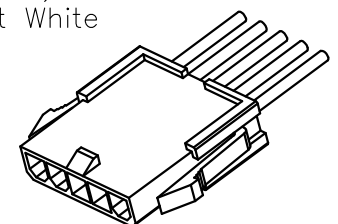


REV.	DESCRIPTION	DATE
A	New Drawing	2019/10/24



Specifications:
 Current Rating:9.0A AC/DC
 Voltage Rating:600V AC/DC
 Contact Resistance:10m Ohm. Max.
 Insulation Resistance:1000M Ohm. Min.
 Withstanding Voltage:1500V AC/Minute
 Operating Temperature Range:-40°C To +105°C
 Application Wire:Awg 16~22
 Material And Finish:
 Insulator:Nylon 66 (UL94V-2)
 Insulator Color:Transparent White
 Contact:Brass
 Finish:Tin Plated

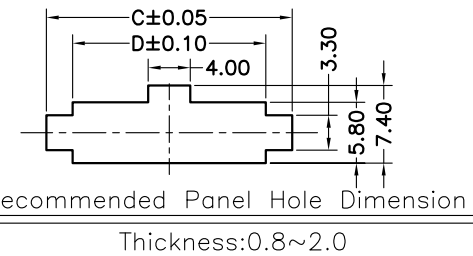
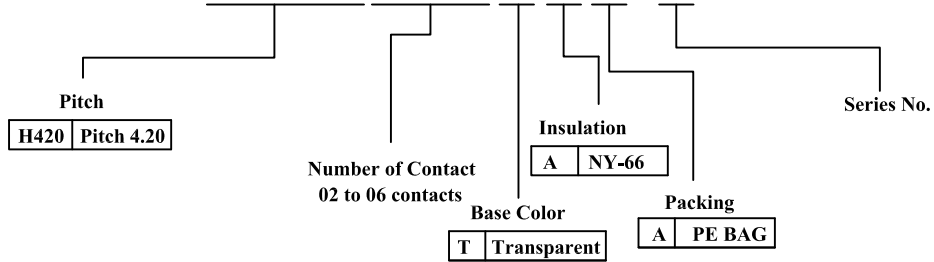


- Housing:WRKD-H420XXXXTAA-H-B1
- Housing:WRKD-H420XXXWAA-H-B2
- Terminal:CU-XT2-H-BX
- Housing:WRKD-H420XXXXTAA-H-C1
- Housing:WRKD-H420XXXWAA-H-C2
- Terminal:CU-XT2-H-CX
- Wafer:WRKD-DSXXXT2NWAA-H
- Wafer:WRKD-DDXXXT2NWAA-H
- Wafer:WRKD-RSXXXT2NWAA-H
- Wafer:WRKD-RDXXXT2NXAA-H

Dimension:

Pos	Dim.A	Dim.B	Dim.C	Dim.D
02	4.2	9.6	15.0	10.0
03	8.4	13.8	19.2	14.2
04	12.6	18.0	23.4	18.4
05	16.8	22.2	27.6	22.6
06	21.0	26.4	31.8	26.8

WRKD - H 4 2 0 X X X T A A - H - C 1



RoHS compliant

竣豪電子股份有限公司
Superior Tech Co., Ltd.

General Tolerance	TITLE	PH4.20 Plug Wire To Housing Single Row		
X. ± 0.5	DRAWN	DATE	NO.	
.X ± 0.3	Annie	10-24-19'	T230	
.XX ± 0.2	CHECK	DATE	PART NO.	
.XXX ± 0.1	Annie	10-24-19'	WRKD-H420XXXXTAA-H-C1	
角度 ± 5°	APPROVED	DATE	CUSTOMER NO.	
	Tom	10-24-19'		

REV.	UNIT	SCALE	
A	mm	1:1	