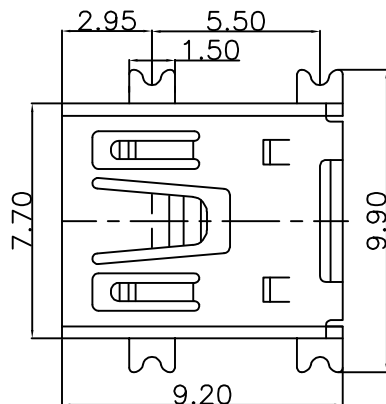


REV.	DESCRIPTION	DATE
A	New Drawing	2012/02/16

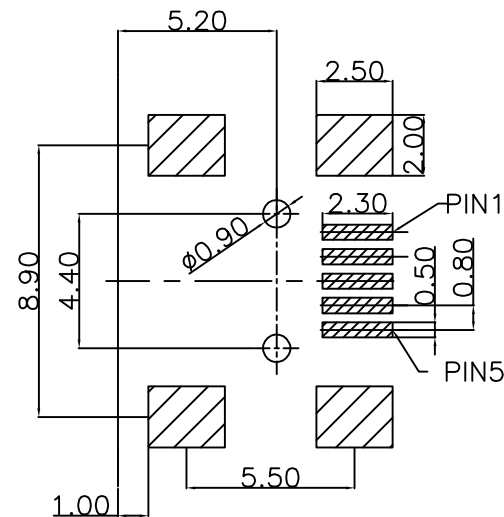
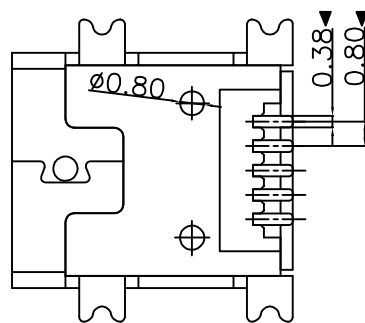
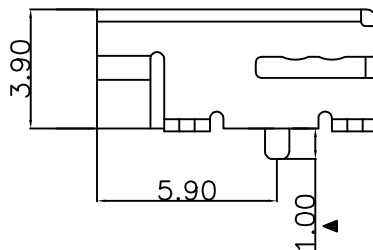
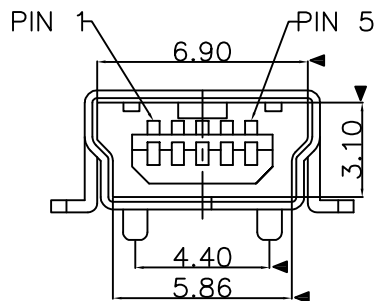
Bill of materials:

NO	PARTS	MATERIAL	QTY	FINISHING
3	HOUSING	LCP+30%GF, UL94 V-0	1	UL 94V-0
2	SHELL	BRASS (C2680-H)	1	Nickel Plating
1	TERMINAL	C5191-H	5	Plated Gold in Mating Area; Tin On Solder Tails



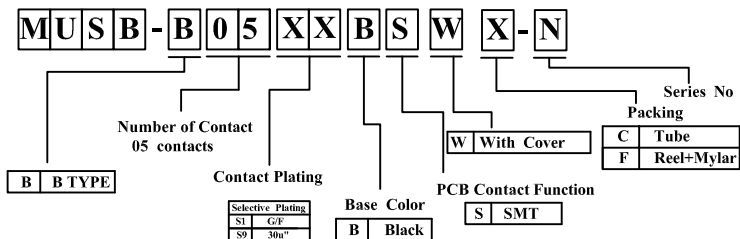
MNOTES:

- ELECTRICAL CHARACTERISTIC:
 - VOLTAGE CURRENT RATING: 1AMP,30V DC;
 - INSULATION RESISTANCE: 100MΩ MIN;
 - CONTACT RESISTANCE: 50mΩ MAX;
 - WITHSTANDING VOLTAGE: 300V AC;
- Mechanical:
 - Mating Force: 35N MAX
 - Unmating Force: 10N MIN.
- DIMENSIONS MARKED "▼" TO BE CHECKED BY Q.C & IPQC.



RECOMMENDED PCB LAYOUT TOP VIEW

RoHS compliant



竣豪電子股份有限公司
Superior Tech Co., Ltd.

General Tolerance	TITLE	MINI USB 5P F SMT B型卡1.0柱	
X. ± 0.5	DRAWN	DATE	NO.
.X ± 0.3	YuHongYu	02-16-12'	T006
.XX ± 0.2	CHECK	DATE	PART NO.
.XXX ± 0.1	APPROVED	DATE	MUSB-B05XXBSWX-N
角度 ± 5°			CUSTOMER NO.

REV.	UNIT	SCALE	
A	mm	1:1	