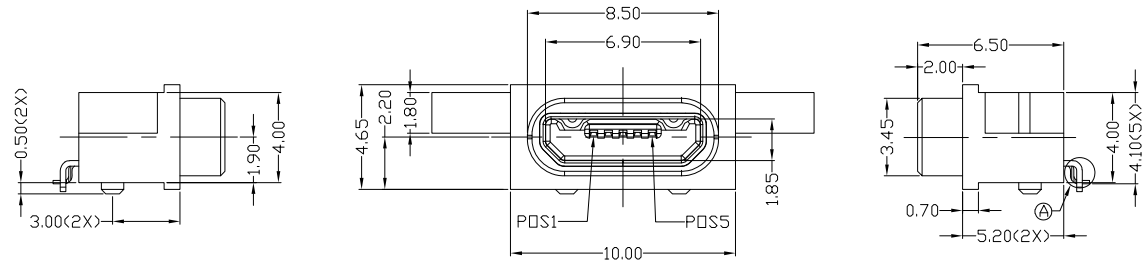
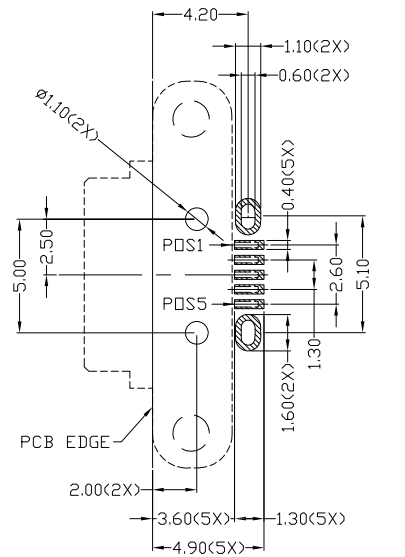
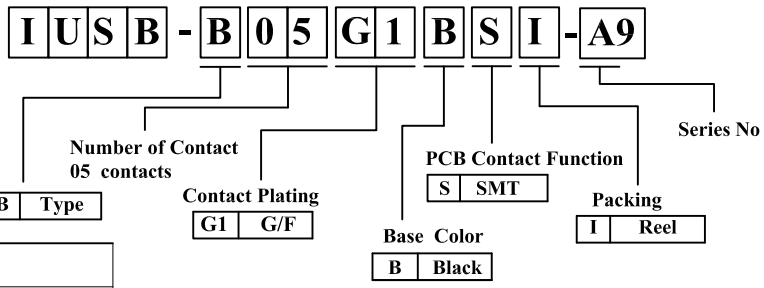
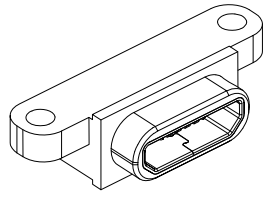
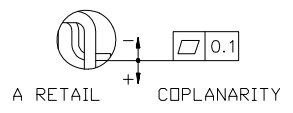
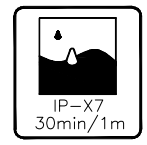
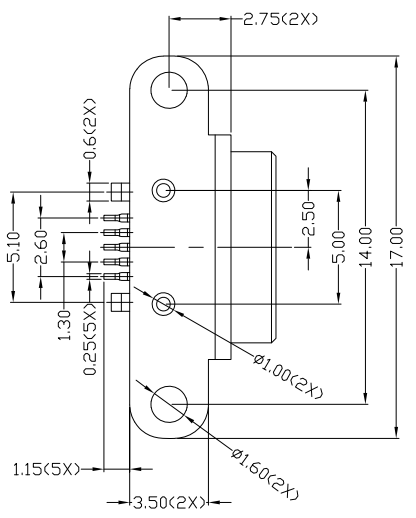


REV.	DESCRIPTION	DATE
A	New Drawing	2019/08/01



- NOTES :
- ELECTRICAL :
    - VOLTAGE CURRENT RATING: PIN 1,5:1.8A/30V AC Max.; PIN 2,3,4:0.5A/30V AC Max.
    - INSULATION RESISTANCE: 100MΩ MIN;
    - CONTACT RESISTANCE: 30mΩ MAX;
    - WITHSTANDING VOLTAGE: 300V AC;
    - OPERATING TEMPERATURE:-25°C TO +85°C.
  - Mechanical :
    - Mating Force: 35N MAX
    - Unmating Force: 8N MIN.
  - DIMENSIONS MARKED "▼" TO BE CHECKED BY Q.C & IPQC.



Bill of materials:

NO	PARTS	MATERIAL	QTY	FINISHING
4	INSULATOR	LCP	1	UL94V-0
3	HOUSING	PA10T	1	UL94V-0
2	SHELL	STAINLESS STEEL	1	PLATED NICKED
1	TERMINAL	COPPER ALLOY	5	PLATED GOLD

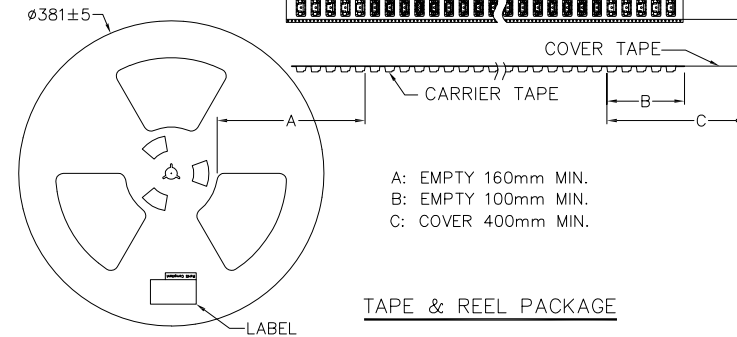
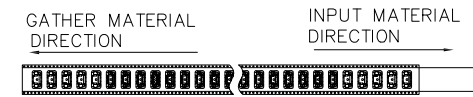
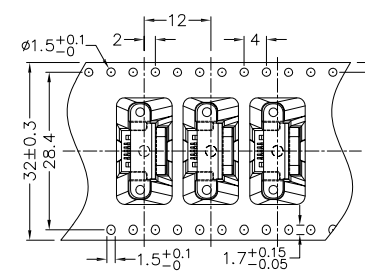
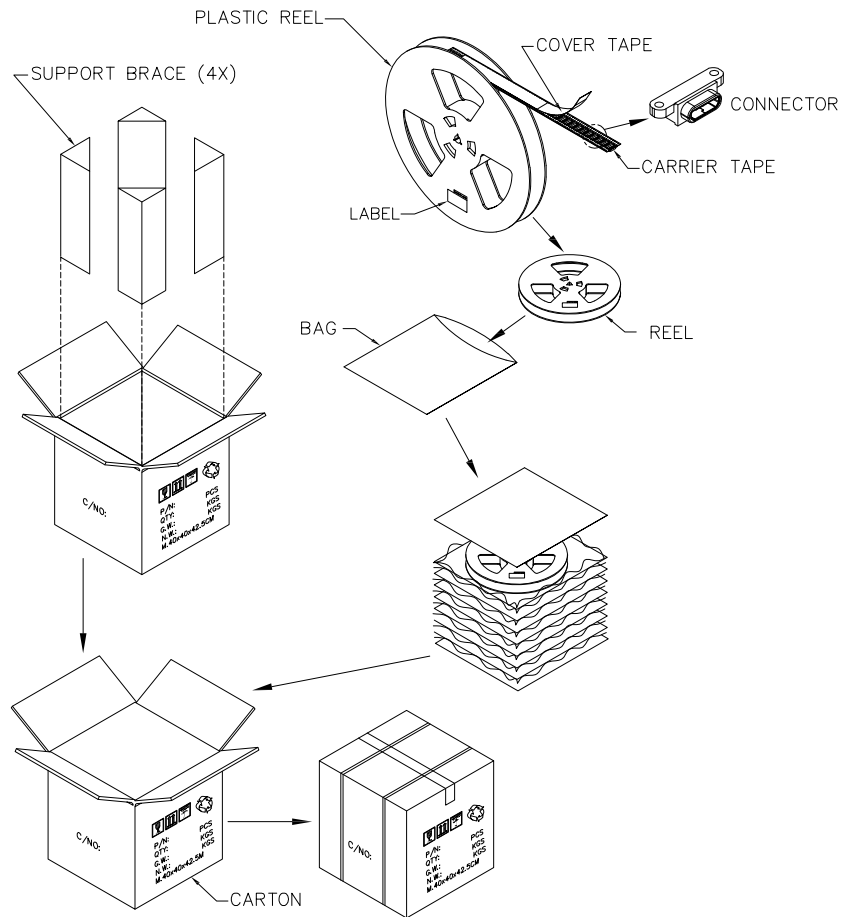
ORING:OR-SBA-A9  
Micro USB:IUSB-B05G1BSI-A9

RoHS compliant

竣豪電子股份有限公司  
**Superior Tech Co., Ltd.**

REV.	UNIT	SCALE	General Tolerance	TITLE	Waterproof Micro USB B Type 5P Female Connector		
A	mm	1:1	X. ± 0.5	DRAWN	DATE	NO.	
			.X ± 0.3	Annie	08-01-19'	T006	
			.XX ± 0.2	CHECK	DATE	PART NO.	
			.XXX ± 0.1	Annie	08-01-19'	IUSB-B05G1BSI-A9	
			角度 ± 5°	APPROVED	DATE	CUSTOMER NO.	
				Tom	08-01-19'	1/2	

REV.	DESCRIPTION	DATE
A	New Drawing	2019/08/01



A: EMPTY 160mm MIN.  
B: EMPTY 100mm MIN.  
C: COVER 400mm MIN.

PACKING DETAILS:  
1. 1,350 pieces per reel.  
2. 10 reel per export carton.  
3. Total 13,500 pieces per export carton  
4. Measurement: 40x40x42.5cm(LxWxH)

RoHS compliant

竣豪電子股份有限公司  
**Superior Tech Co., Ltd.**

General Tolerance		TITLE	Waterproof Micro USB B Type 5P Female Connector 包裝圖	
X	$\pm 0.5$	DRAWN	DATE	NO.
.X	$\pm 0.3$	Annie	08-01-19'	T006
.XX	$\pm 0.2$	CHECK	DATE	PART NO.
.XXX	$\pm 0.1$	Annie	08-01-19'	IUSB-B05G1BSI-A9
角度	$\pm 5^\circ$	APPROVED	DATE	CUSTOMER NO.
		Tom	08-01-19'	2/2

REV.	UNIT	SCALE	
A	mm	1:1	