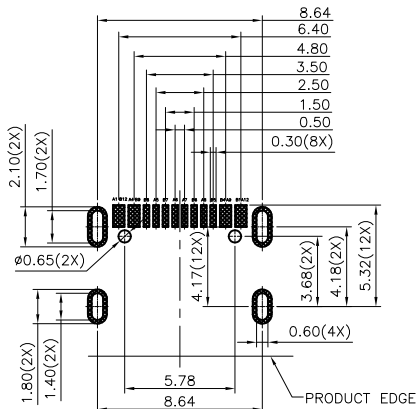
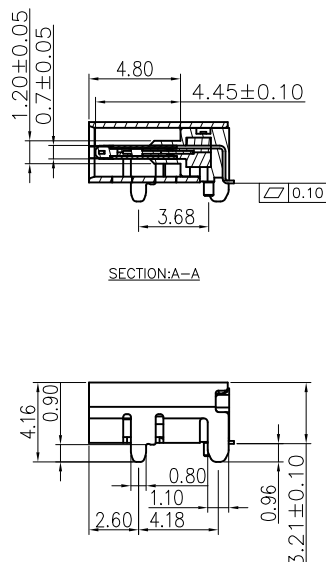
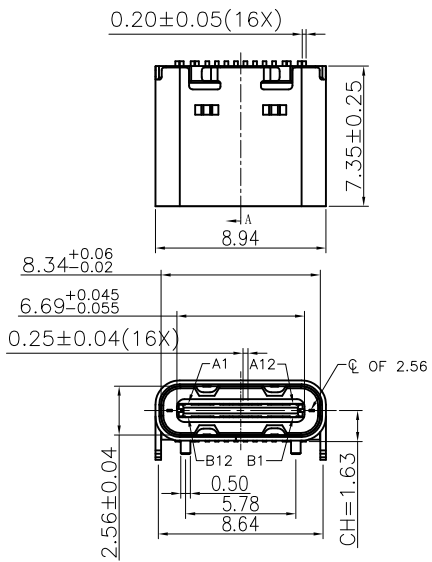
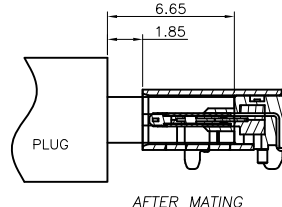


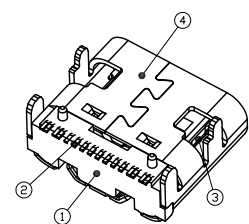
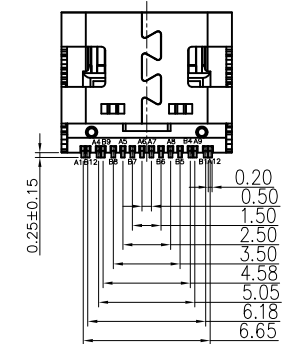
REV.	DESCRIPTION	DATE
A	New Drawing	2023/08/18



RECOMMENDED PCB LAYOUT(TOP VIEW)
THICKNESS 0.80MM;DEFAULT TOLERANCE:±0.05

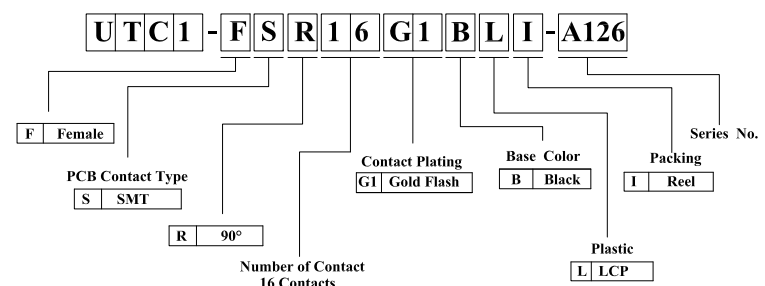


NOTE:
1.MATERIAL SPECIFICATION:
1.HOUSING:LCP,UL94 V-0.
2.TERMINAL: COPPER ALLOY(C1814)
3.MID PLATE: STAINLESS STEEL(SUS301)
4.FRONT SHELL: STAINLESS STEEL(SUS304)
2.PLATING SPECIFICATION:
2-1.TERMINAL:
Ni 50u" MIN. UNDER PLATED OVER ALL.
Au PLATED ON THE FUNCTIONAL AREA OF CONTACT.
(GOLD PLATING THICKNESS FOLLOW THE P/N)
PLATING SPECIFICATIONS OF THE SOLDER AREA FOLLOW THE P/N
2-2.FRONT SHELL:
PLATING SPECIFICATIONS FOLLOW THE P/N
2-3.MID PLATE PLATE:
CLEAR ONLY
3.MECHANICAL PERFORMANCE,
3-1.INSERTION FORCE: 0.5~2.0kgf.
3-2.REMOVAL FORCE: 0.8kgf~2.0kgf.
3-3.DURABILITY: 10000 CYCLES.
4.ELECTRICAL PERFORMANCE,
4-1. VOLTAGE RATING:20 V DC/AC (RMS. max)
CURRENT RATING:5 AMPS. FOR TOTAL VBUS/GND PINS;
1.25AMPS FOR CC PIN,0.25 AMPS. FOR ALL OTHER CONTACT.
4-2. LLCR:
VBUS & GND PINS AND OTHER PINS: 40mΩ/PIN MAX.
SHIELD: 50mΩ/MAX.
LLCR MAX. CHANGE OF ALL PINS: 10mΩ.
4-3.INSULATION RESISTANCE: 100MΩ MIN
4-4.DIELECTRIC WITHSTAND VOLTAGE,AC 100V FOR 1 MINUTE.
5. ENVIRONMENTAL PERFORMANCE:
OPERATING TEMPERATURE: -25°C~+85°C.
6.IR REFLOW:
THE PEAK TEMPERATURE ON THE BOARD SHALL
BE MAINTAINED FOR 10 SECONDS AT 260°C.



USB TYPE-C PIN ASSIGNMENTS

PIN NUMBER	SIGNAL NAME	PIN NUMBER	SIGNAL NAME
A1	GND	B12	GND
A4	VBUS	B9	VBUS
A5	CC1	B8	SBU2
A6	Dp1	B7	Dn2
A7	Dn1	B6	Dp2
A8	SBU1	B5	CC2
A9	VBUS	B4	VBUS
A12	GND	B1	GND

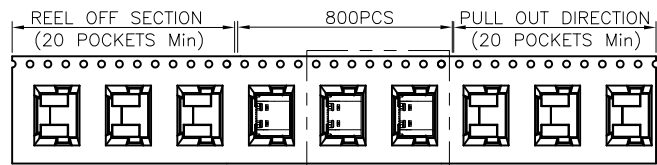


竣豪電子股份有限公司
Superior Tech Co., Ltd.

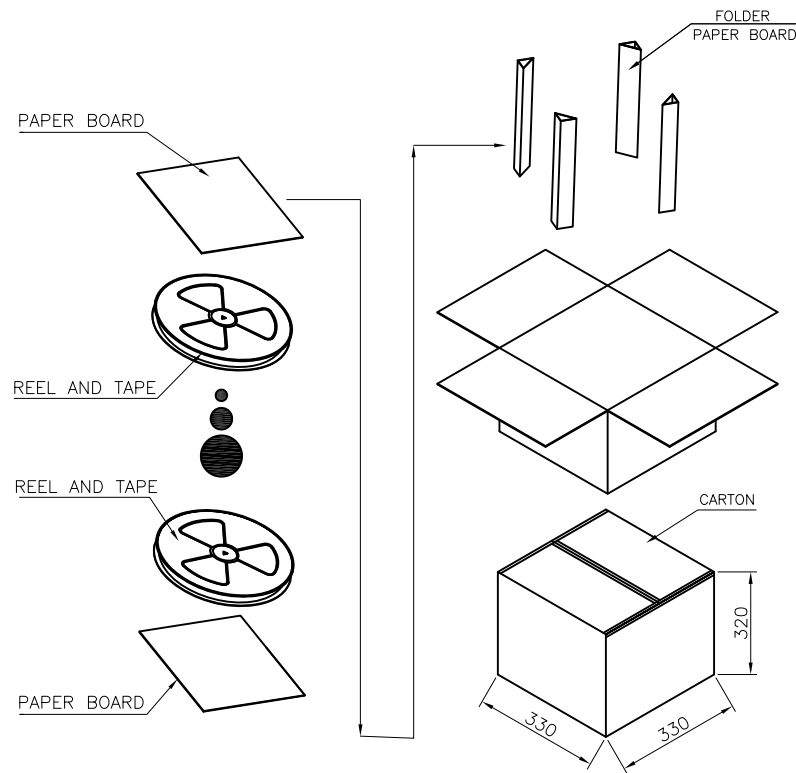
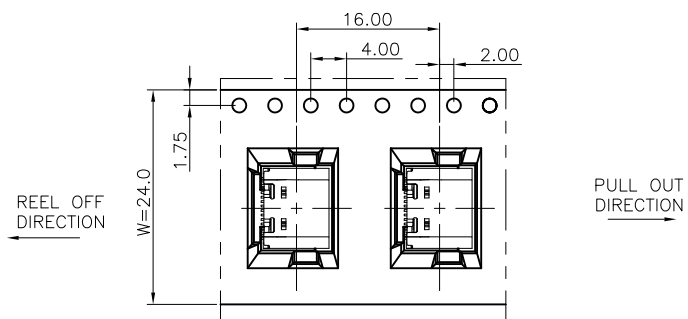
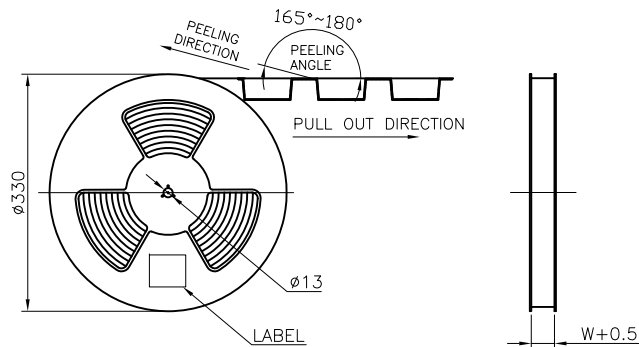
General Tolerance	TITLE		USB Type-C Female 臥式SMT 16P L=7.35mm	
	X. ± 0.5	DRAWN	DATE	NO.
.X ± 0.3	Jacky	08-18-23'	D052	
.XX ± 0.2	CHECK	DATE	PART NO.	
.XXX ± 0.1	Tom	08-18-23'	UTC1-FSR16G1BLI-A126	
角度 ± 5°	APPROVED	DATE	CUSTOMER NO.	
	Tom	08-18-23'	1/2	

REV.	UNIT	SCALE	
A	mm	1:1	

REV.	DESCRIPTION	DATE
A	New Drawing	2023/08/18



SEE DETAIL X



	REEL	CARTON
CONNECTOR (PCS)	800	8000

竣豪電子股份有限公司
Superior Tech Co., Ltd.

General Tolerance		TITLE	UTC1-FSR16G1BLI-A126 包裝圖	
X. ± 0.5		DRAWN	DATE	NO.
.X ± 0.3		Jacky	08-18-23'	D052
.XX ± 0.2		CHECK	DATE	PART NO.
.XXX ± 0.1		Tom	08-18-23'	UTC1-FSR16G1BLI-A126
角度 ± 5°		APPROVED	DATE	CUSTOMER NO.
		Tom	08-18-23'	2/2

REV.	UNIT	SCALE	
A	mm	1:1	

(Q2-R03-01A) ST-R05-07