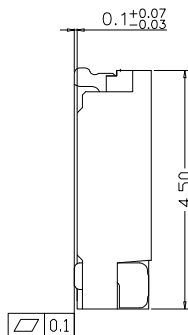


RECCMMENDED PCB LAYOUT
GENERAL TOLERANCE ±0.05

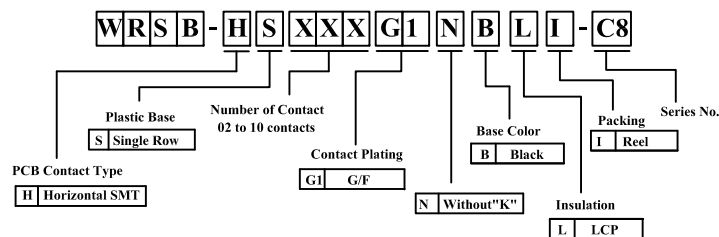
WRSB-H120XXXBNA-C8
WRSB-HSXXXG1NB LI-C8
CU-PG1-C8



REV.	DESCRIPTION	DATE
A	New Drawing	2023/04/26
B	更新Pin位及材質	2023/09/20

Available: 2~10pins
Color: Black
Conductor: Bronze/Gole-plated

SPECIFICATIONS
Current Rating: 1.5A AC,DC
Voltage Rating: 50V AC,DC
Temperature Range: -25°C ~ +85°C
Contact Resistance: 20mΩ Max.
Insulation Resistance: 100MΩ Min.
Withstanding Voltage: 500V AC/minute
Pin Material: Phosphor Bronze/Gold-plated 1u"
Solder Tabs: Phosphor Bronze/Tin-plated
Material: LCP, UL94V-0
Color: Natural(Black)



Part No.	Dimensions (mm)		
	A	B	C
02P	1.20	4.20	2.65
03P	2.40	5.40	3.85
04P	3.60	6.60	5.05
05P	4.80	7.80	6.25
06P	6.00	9.00	7.45
07P	7.20	10.20	8.65
10P	10.80	13.80	12.25

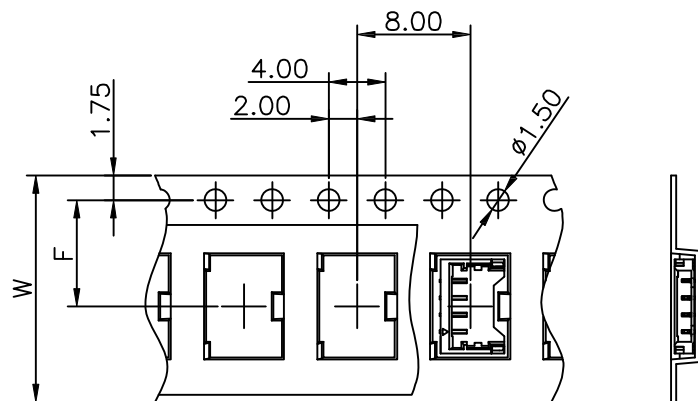
RoHS Compliant

竣豪電子股份有限公司
Superior Tech Co., Ltd.

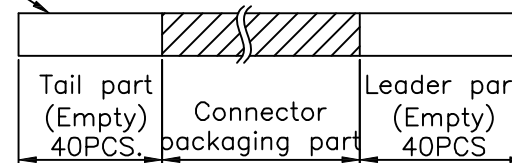
General Tolerance	TITLE	WAFER PH1.2 SMT TYPE G/F * Reel	
X. ± 0.5	DRAWN	DATE	NO.
.X ± 0.3	Tom	04-26-23'	D076
.XX ± 0.2	CHECK	DATE	PART NO.
.XXX ± 0.1	APPROVED	DATE	WRSB-HSXXXG1NB LI-C8
角度 ± 5°			CUSTOMER NO.

REV.	UNIT	SCALE	
B	mm	1:1	

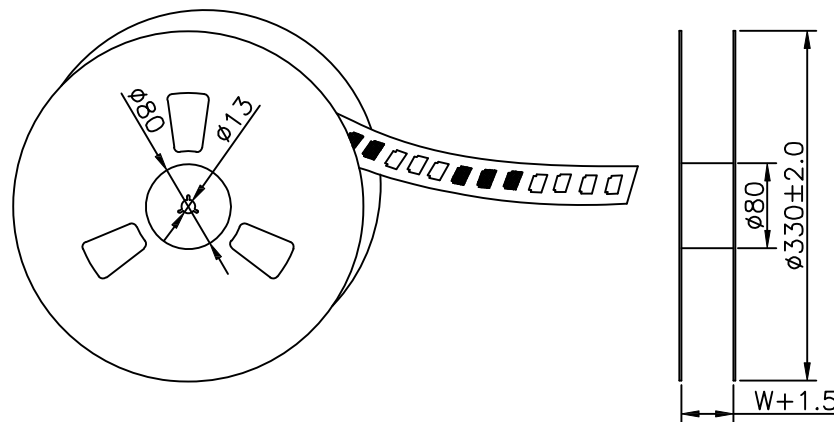
REV.	DESCRIPTION	DATE
A	New Drawing	2023/09/20



Carrier tape



Unreeling direction →



Number of Contacts	W±0.3	F±0.1	Q'ty/Reel
02P	12	7.50	4,000
03P	16	7.50	4,000
04P	16	11.50	4,000
05P	16	11.50	4,000
06P	16	11.50	4,000
07P	24	11.50	4,000
10P	24	11.50	4,000

RoHS Compliant

竣豪電子股份有限公司
Superior Tech Co., Ltd.

General Tolerance		TITLE	WAFER PH1.2 SMT TYPE G/F * Reel包裝圖	
X. ± 0.5		DRAWN	DATE	NO.
.X ± 0.3		Tom	09-20-23'	D076
.XX ± 0.2		CHECK	DATE	PART NO.
.XXX ± 0.1		APPROVED	DATE	WRSB-HSXXXG1NBLI-C8
角度	± 5°			CUSTOMER NO.

REV.	UNIT	SCALE	
A	mm	1:1	

(Q2-R03-01A) ST-R05-07