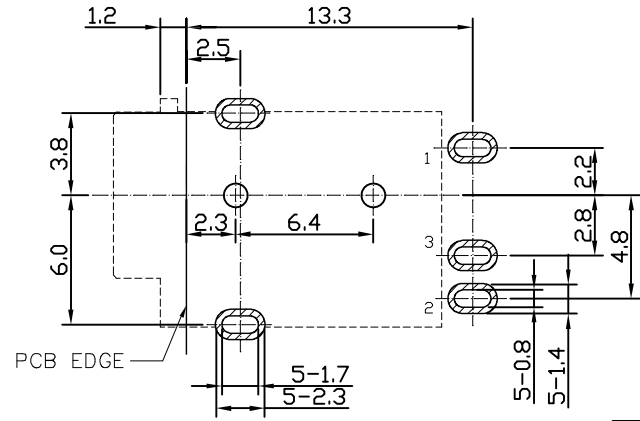
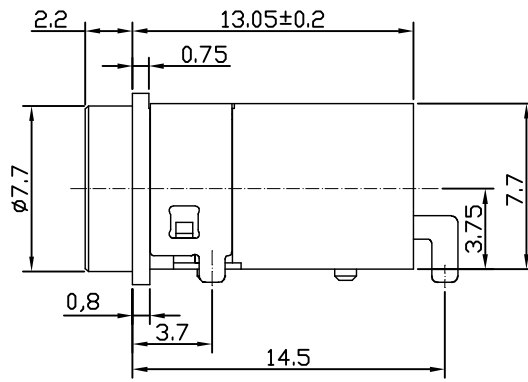
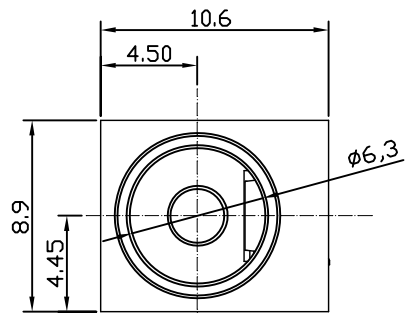
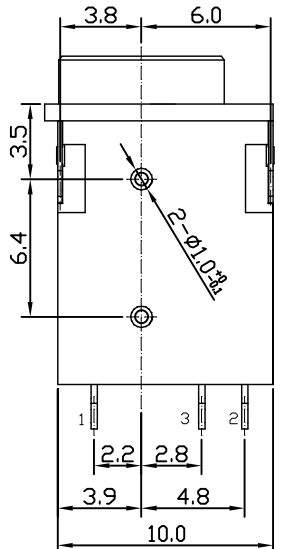
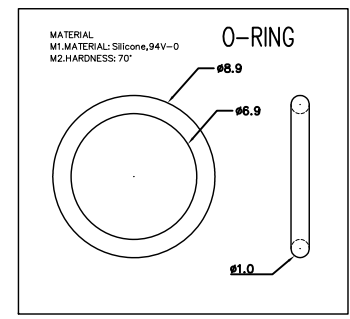
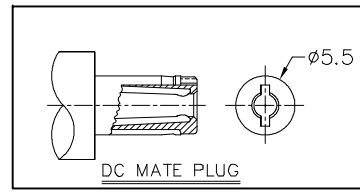


REV.	DESCRIPTION	DATE
A	New Drawing	2021/11/24

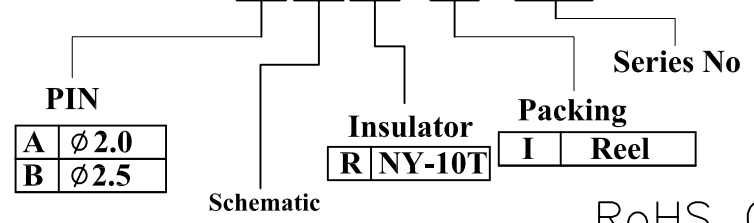


RECOMMENDED PCB LAYOUT
TOLERANCE: ±0.05
(TOP VIEW)



CAT. NO.	PIN	SCHEMATIC
A	Ø2.0	
B	Ø2.5	

DCAC - XAR - I - A6



LTR	PART NAME	QTY	MATERIAL	REMARK
5	HOUSING	1	PA10T	UL-94V0(BLACK)
5	COVER	1	PA10T	UL-94V0(BLACK)
4	SHIELD	1	BRASS	Ni PLATED
3	TERMINAL #3	1	BRASS	GOLD FLASH
2	TERMINAL #2	1	COPPER ALLOY	GOLD FLASH
1	TERMINAL #1	1	BRASS	GOLD FLASH

RoHS Compliant

竣豪電子股份有限公司
Superior Tech Co., Ltd.

General Tolerance		TITLE		DC Power Jack Ø2.0/2.5 H8.9 90度 3PIN	
X. ± 0.5		DRAWN		DATE	
.X ± 0.3		Jacky		11-24-21'	
.XX ± 0.2		CHECK		DATE	
.XXX ± 0.1		Tom		11-24-21'	
角度 ± 5°		APPROVED		DATE	
		Tom		11-24-21'	
				NO. T161	
				PART NO. DCAC-XAR-I-A6	
				CUSTOMER NO.	

REV.	UNIT	SCALE	
A	mm	1:1	