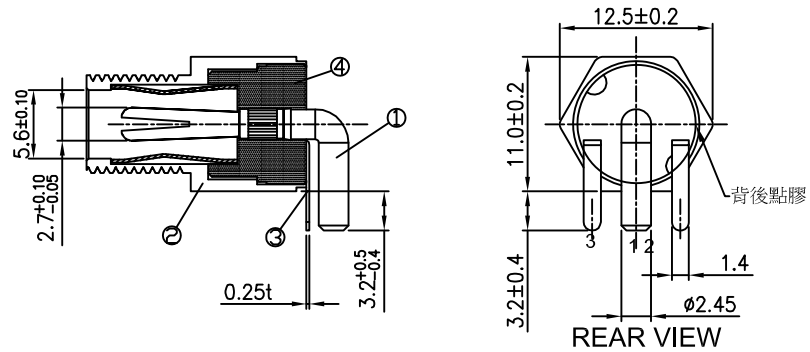
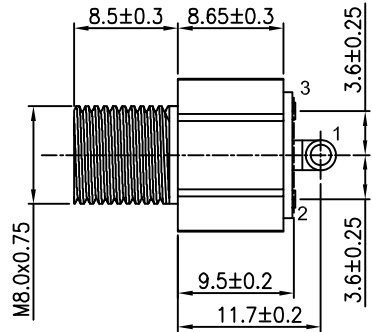
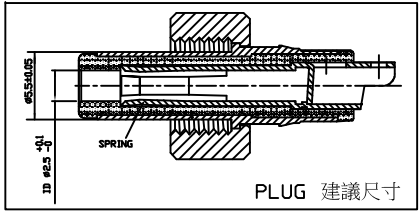
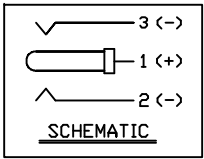


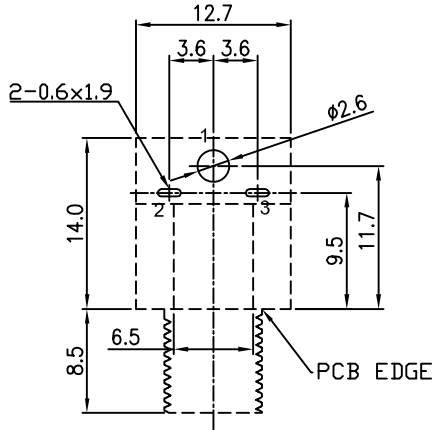
| REV. | DESCRIPTION | DATE       |
|------|-------------|------------|
| A    | New Drawing | 2023/06/30 |



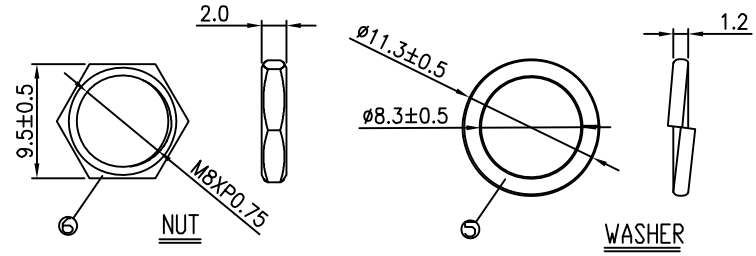
1. Dielectric strength: AC 500V/1 minute
2. Insulation resistance : 100MΩ or over. (DC 500V)
3. Contact resistance : 30mΩ or less



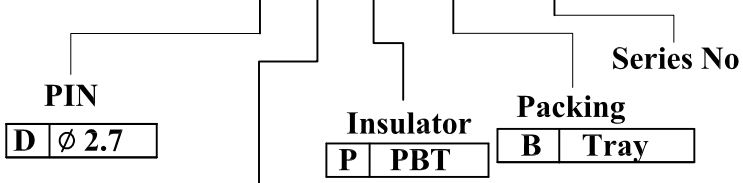
BOTTOM VIEW



PCB LAYOUT (TOP VIEW)



**DCAC - DAP - B - A9 - W**



Schematic

RoHS Compliant

| LTR | PART NAME  | QTY | MATERIAL        | REMARK       |
|-----|------------|-----|-----------------|--------------|
| 6   | NUT        | 1   | COPPER ALLOY    | Cu/Sn PLATED |
| 5   | WASHER     | 1   | COPPER ALLOY    | Cu/Sn PLATED |
| 4   | DIELECTRIC | 1   | PBT             | BLACK        |
| 3   | TERMINAL   | 1   | C5191           | Ag PLATED    |
| 2   | SLEEVE     | 1   | COPPER ALLOY    | Cu/Sn PLATED |
| 1   | PIN        | 1   | Phosphor Bronze | Ag PLATED    |

竣豪電子股份有限公司  
**Superior Tech Co., Ltd.**

| General Tolerance | TITLE    | DC Power Jack $\phi 2.7$ , R/A DIP, With Waterproof |                 |
|-------------------|----------|---|-----------------|
| X. $\pm 0.5$      | DRAWN    | DATE  | NO.             |
| .X $\pm 0.3$      | Jacky    | 06-30-23'   | T161            |
| .XX $\pm 0.2$     | CHECK    | DATE  | PART NO.        |
| .XXX $\pm 0.1$    | Tom      | 06-30-23'   | DCAC-DAP-B-A9-W |
| 角度 $\pm 5^\circ$  | APPROVED | DATE  | CUSTOMER NO.    |
|                   | Tom      | 06-30-23'   |                 |

| REV. | UNIT | SCALE |  |
|------|------|-------|--|
| A    | mm   | 1:1   |  |