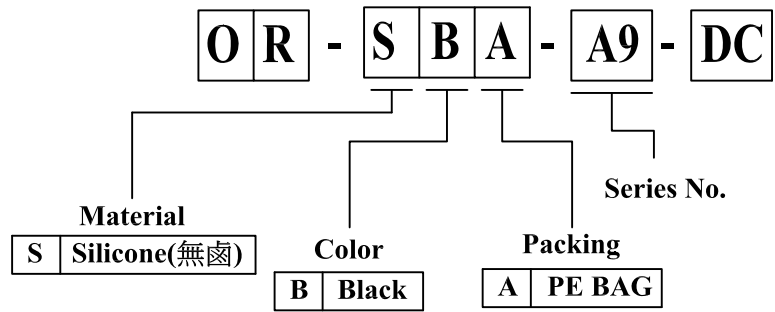
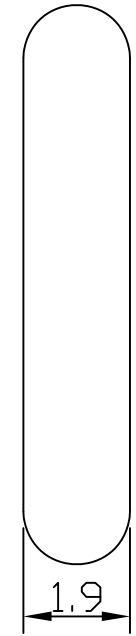
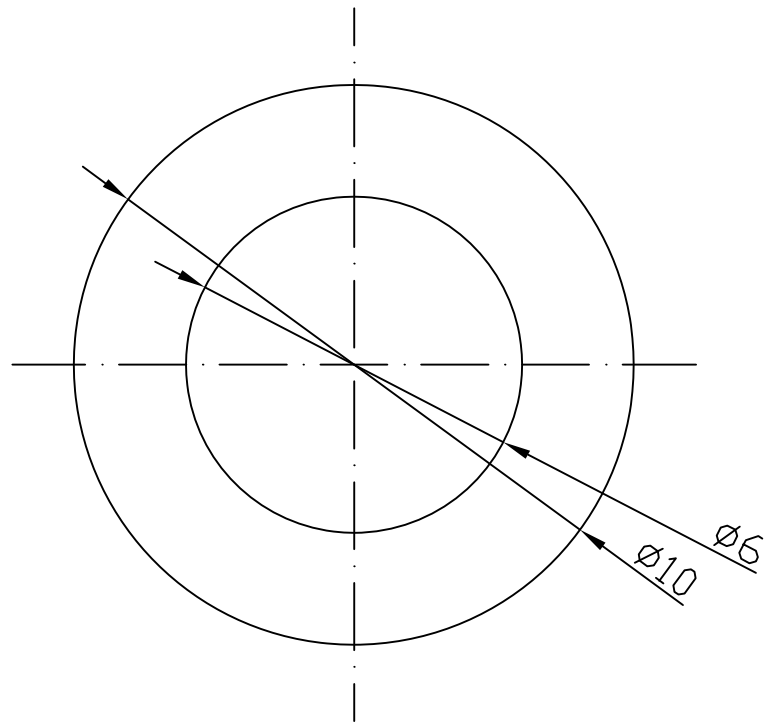


REV.	DESCRIPTION	DATE
A	New Drawing	2023/06/30



UNLESS OTHERWISE SPECIFIED, TOLERANCE ON DECIMAL: ± 0.3

RoHS compliant

竣豪電子股份有限公司
Superior Tech Co., Ltd.

General Tolerance		TITLE		DC JACK 防水圈	
X. ± 0.5		DRAWN		DATE	
.X ± 0.3		Jacky		06-30-23'	
.XX ± 0.2		CHECK		DATE	
.XXX ± 0.1		Tom		06-30-23'	
APPROVED		DATE		NO.	
Tom		06-30-23'		T161	
CUSTOMER NO.		PART NO.			
		OR-SBA-A9-DC			

REV.	UNIT	SCALE	
A	mm	1:1	