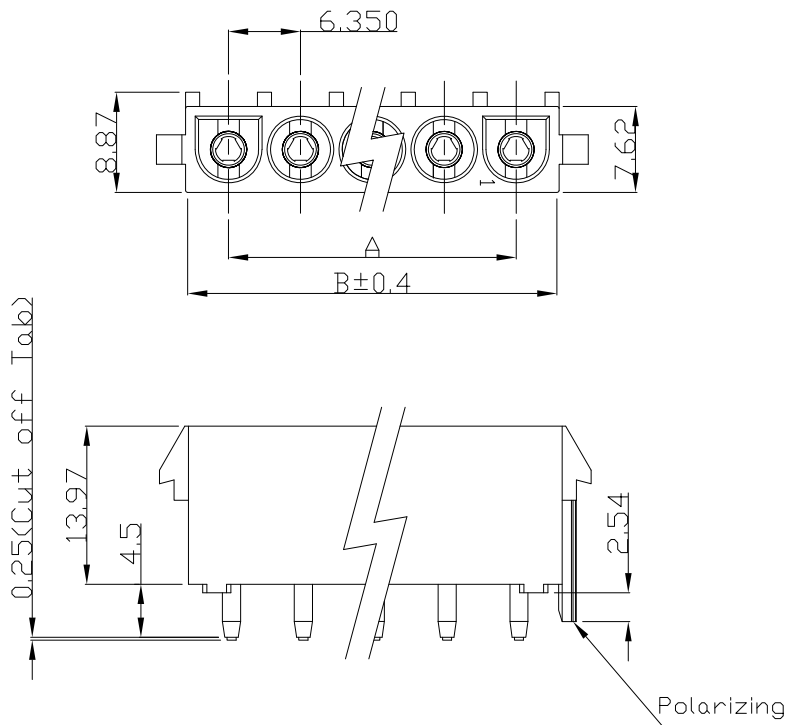


REV.	DESCRIPTION	DATE
A	New Drawing	2010/04/29

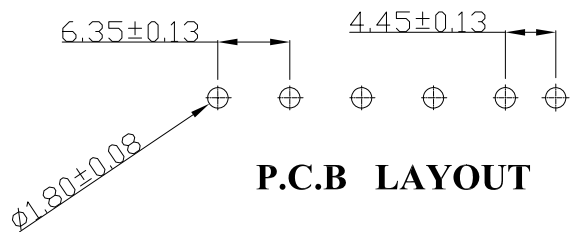
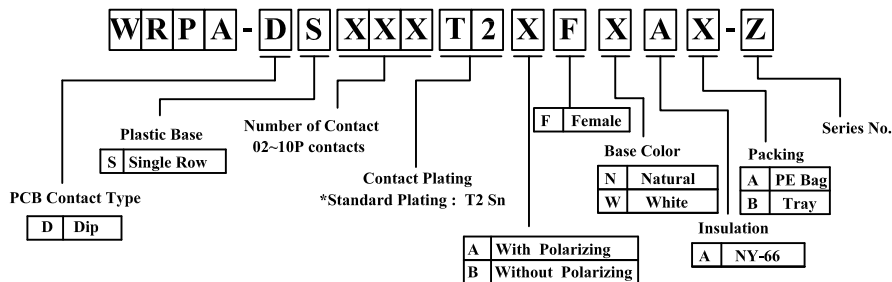
Single Row



LTR	Part Name	Material	Description	QTY
1	Housing	NY-66 UL 94V-2/0	Initial : 1000M Ohms Min.	1
2	Contact	Phosphor Bronze	Current Rating : 13.0A (2~4P) Current Rating : 11.0A (6~10P) Voltage Rating : 600V	XX
Temperature Rating : -55°C ~ +105°C Dielectric Withstanding Voltage : 5000V AC/Min				

Dimensional Information(mm)

Circuit	Dim.A	Dim.B	Circuit	Dim.A	Dim.B
2	6.35	13.97	7	38.10	45.72
3	12.70	20.32	8	44.45	52.07
4	19.05	26.67	9	50.80	58.42
5	25.40	33.02	10	57.15	64.77
6	31.75	39.37			



P.C.B LAYOUT

RoHS compliant

竣豪電子股份有限公司
Superior Tech Co., Ltd.

General Tolerance	TITLE	Wafer PH6.35 180度 NY-66 With Female Pins	
X. ± 0.5	DRAWN LIUHU	DATE	NO.
.X ± 0.3		04-29-10'	T062
.XX ± 0.2	CHECK	DATE	PART NO.
.XXX ± 0.1	APPROVED	DATE	WRPA-DSXXXT2XFXAX-Z
角度 ± 5°		DATE	CUSTOMER NO.

REV.	UNIT	SCALE	
A	mm	1:1	