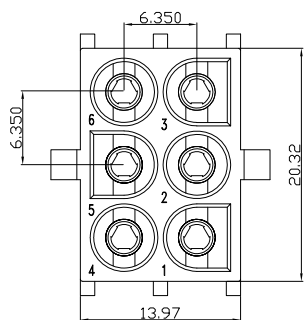
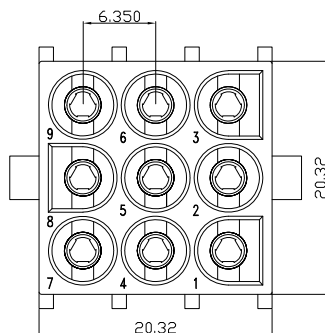


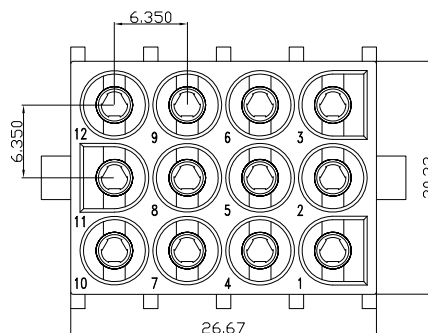
REV.	DESCRIPTION	DATE
A	New Drawing	2012/12/12



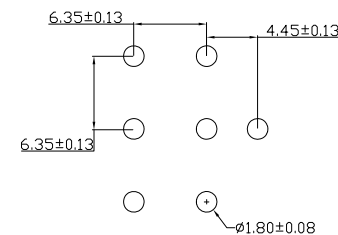
6pin



9pin

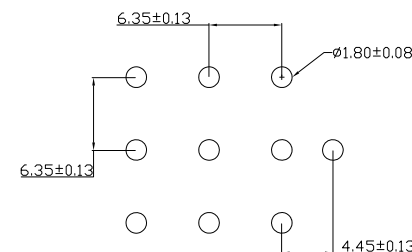
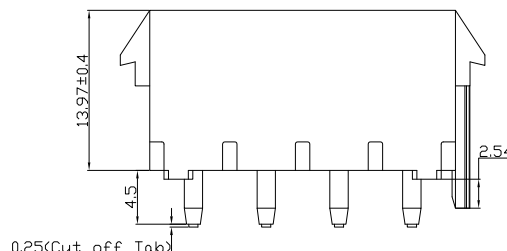
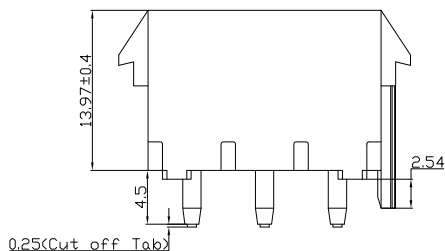
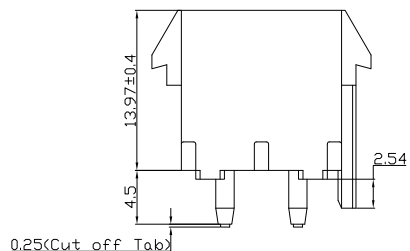


12pin



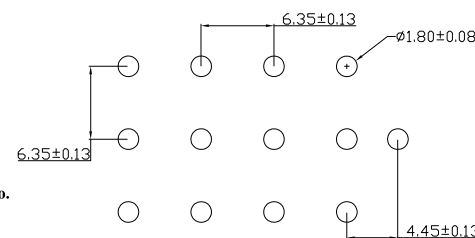
P. C. board layout

6pin



P. C. board layout

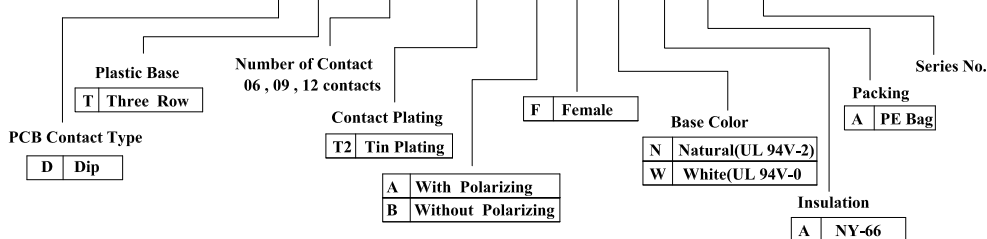
9pin



P. C. board layout
12pin

RoHS compliant

WRPA-DTXXXT2XFXAA-Z

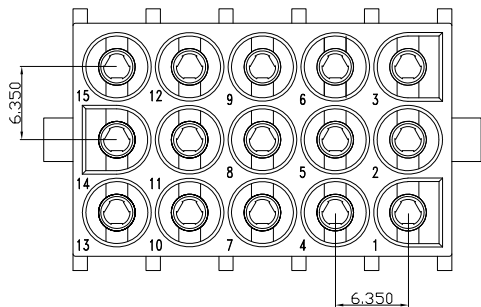


竣豪電子股份有限公司
Superior Tech Co., Ltd.

General Tolerance		TITLE		250"(6.35mm) Power Connector Female	
X. ± 0.5		DRAWN		DATE	NO.
.X ± 0.3		YuHongYu		12-12-12'	T062
.XX ± 0.2		CHECK		DATE	PART NO.
.XXX ± 0.1		APPROVED		DATE	WRPA-DTXXXT2XFXAA-Z
角度	± 5°				CUSTOMER NO.

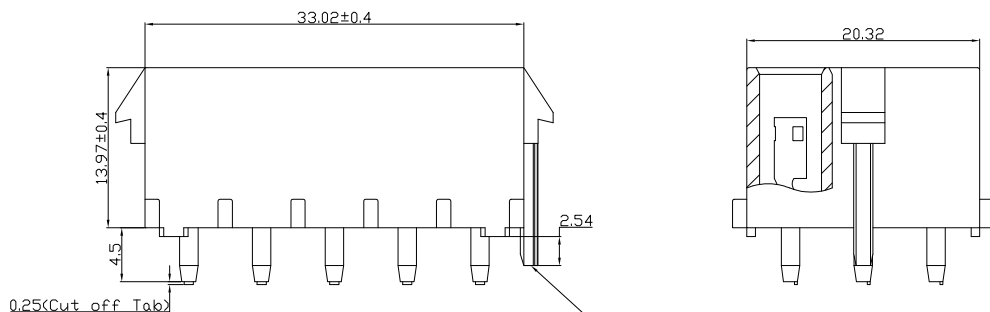
REV.	UNIT	SCALE	
A	mm	1:1	

REV.	DESCRIPTION	DATE
A	New Drawing	2012/12/12



Ordering Information

Part No.	Insulation material	Feature	Color
WRPA-DT015T2AFNAA-Z	UL 94V-2	With Polarizing	Nature
WRPA-DT015T2BFNAA-Z		Without Polarizing	
WRPA-DT015T2AFWAA-Z	UL 94V-0	With Polarizing	White
WRPA-DT015T2BFWAA-Z		Without Polarizing	



Features:

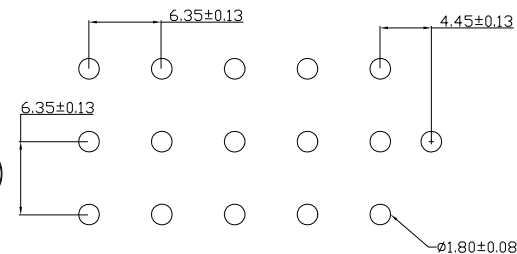
- 15 circuits available
- Pin Material: Tin-plated phosphor bronze

Used plastic material PA66 V0 based on UL file no.: E132701

Polarizing

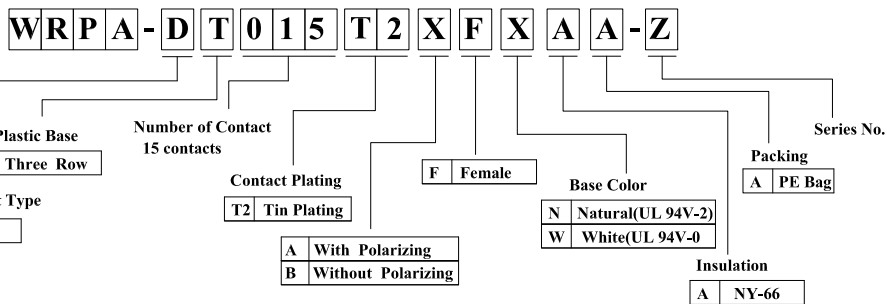
Specification:

- Current rating: 13A (2~4P), 11A (6~15P)
- Voltage rating: 600V
- Dielectric withstanding voltage: 5000V AC/minute
- Ambient temperature rise: -55°C ~ 105°C



P. C. board layout

RoHS compliant



竣豪電子股份有限公司
Superior Tech Co., Ltd.

General Tolerance		TITLE		250"(6.35mm) Power Connector Female	
X. ± 0.5		DRAWN	DATE	NO.	
.X ± 0.3		YuHongYu	12-12-12'	T062	
.XX ± 0.2		CHECK	DATE	PART NO.	WRPA-DT015T2XFXAA-Z
.XXX ± 0.1		APPROVED	DATE	CUSTOMER NO.	
角度	± 5°				

REV.	UNIT	SCALE
A	mm	1:1

