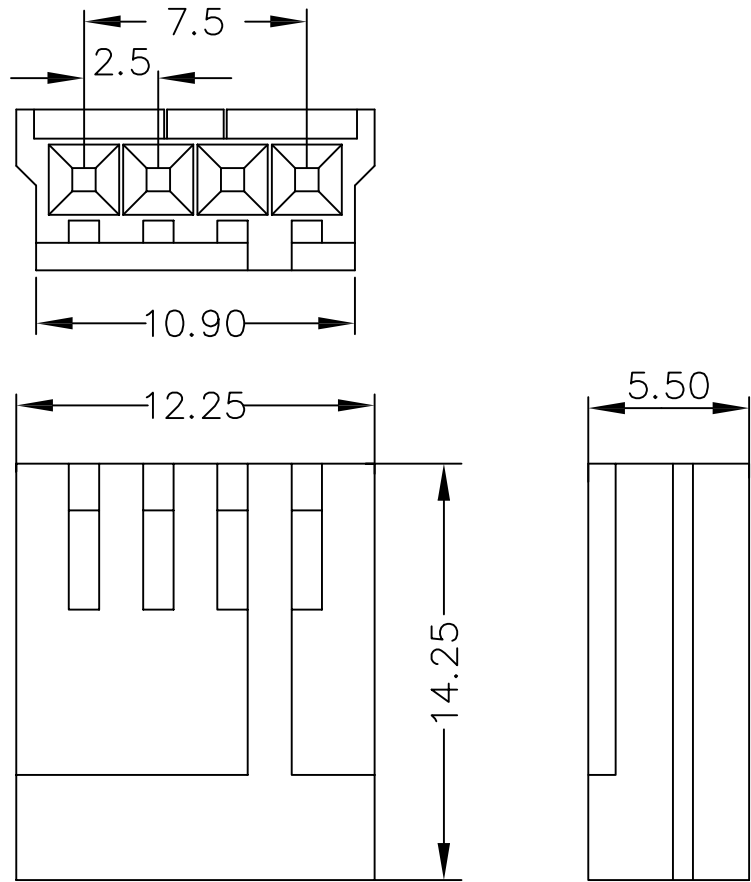


REV.	DESCRIPTION	DATE
A0	New Drawing	2008/05/13



WREF-H-04

SPECIFICATIONS

Current rating: 3.0A AC, DC
Voltage rating: 250VAC, DC
Temperature range: -25°C to +85°C
Contact resistance: 20mohm Max.
Insulation resistance: 1000Mohm Min.
Withstanding voltage: 800VAC/minute
Material: Nylon66, UL94V-0

RoHS Compliant

竣豪電子股份有限公司
Superior Tech Co., Ltd.

General Tolerance		TITLE		小4P Housing	
X. ± 0.5		DRAWN		DATE	
.X ± 0.3		SUNCUI		05-13-08'	
.XX ± 0.2		CHECK		DATE	
.XXX ± 0.1		APPROVED		DATE	
角度 ± 5°				NO. T003	
				PART NO. WREF-H-04	
				CUSTOMER NO.	

REV.	UNIT	SCALE	
A0	mm	1:1	