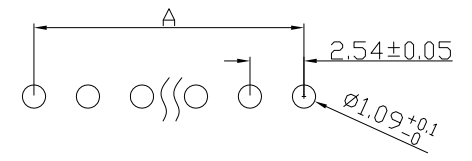
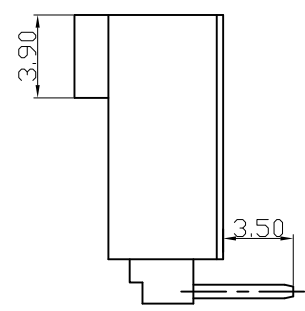
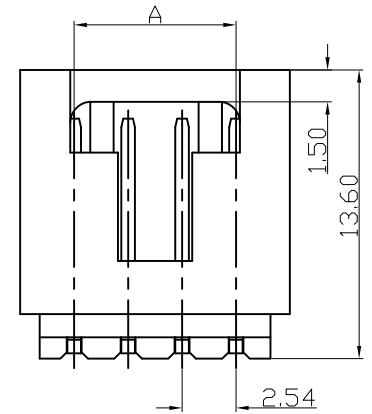
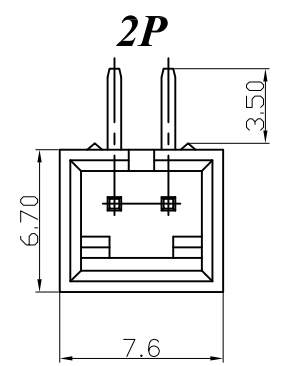


poles	Dimension	
	A	B
2	2.54	7.70
3	5.08	10.20
4	7.62	12.70
5	10.16	15.24
6	12.70	17.78
7	15.24	20.32
8	17.78	22.86
9	20.32	25.40
10	22.86	27.94
11	25.4	30.48
12	27.94	33.02
13	30.48	35.56
14	33.02	38.10
15	35.56	40.64
16	38.10	43.18
17	40.64	45.72
18	43.18	48.26
19	45.72	50.80
20	48.26	53.34

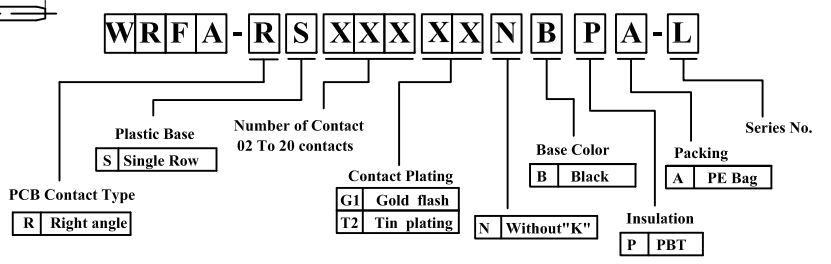
REV.	DESCRIPTION	DATE
A	New Drawing	2013/08/15
B	更新圖面	2021/08/10

Material: Post: Brass, Gold plated
Base: PBT UL94V-0 COLOR BLACK

SPECIFICATIONS
Voltage Rating : AC 250V
Current Rating : AC DC 3 A
Withstand Voltage : AC 1000V Min
Insulation Resistance : 1000M ohm Min
Temperature Range : -25°C ~ +85°C
Contact Resistance : Initial Value 10m ohm Max.
After Environmental Testing 20m ohm Max



RECOMMENDED PCB THICKNESS 1.6mm



RoHS Compliant

竣豪電子股份有限公司
Superior Tech Co., Ltd.

General Tolerance	TITLE Pitch 2.54mm R/A type P C B board connector		
	X. ± 0.5	DRAWN Jacky	DATE 08-10-21'
	.X ± 0.3		NO. T085
	.XX ± 0.2	CHECK Tom	DATE 08-10-21'
	.XXX ± 0.1		PART NO. WRFA-RSXXXXXNBPA-L
角度 ± 5°	APPROVED Joe	DATE 08-10-21'	CUSTOMER NO.

REV. B	UNIT mm	SCALE 1:1	
--------	---------	-----------	--