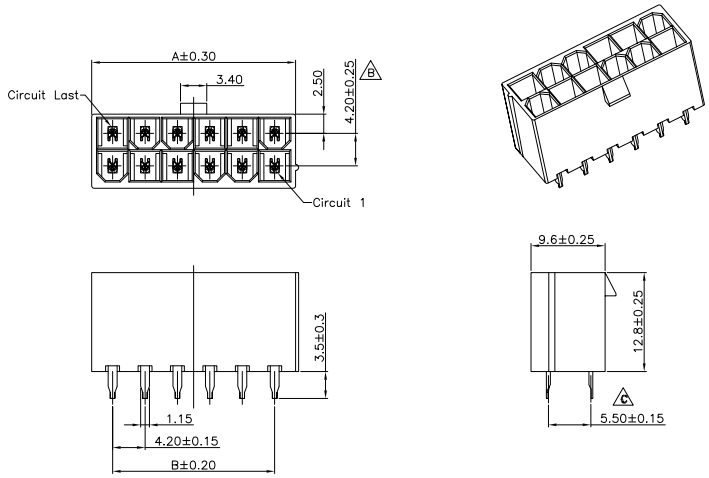


REV.	DESCRIPTION	DATE
A	New Drawing	2019/10/24



Housing:WRKD-H420XXXTAA-H-B1
Housing:WRKD-H420XXXWAA-H-B2
Terminal:CU-XT2-H-BX

Housing:WRKD-H420XXXTAA-H-C1
Housing:WRKD-H420XXXWAA-H-C2
Terminal:CU-XT2-H-CX

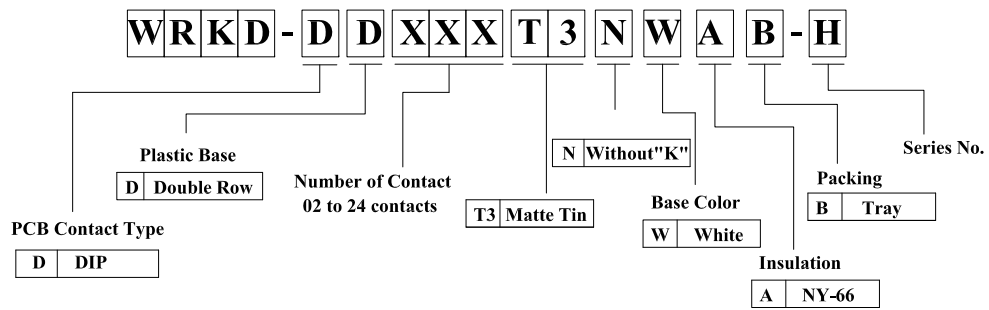
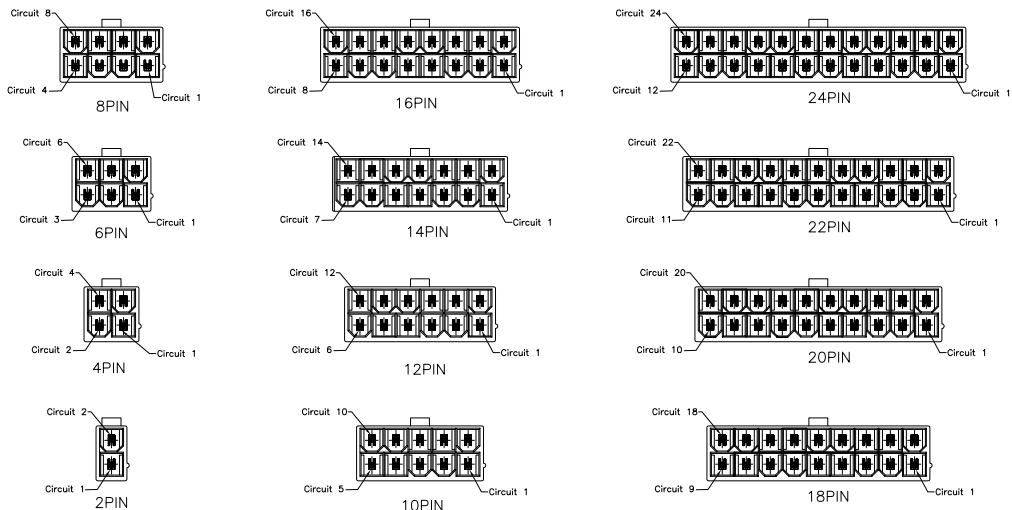
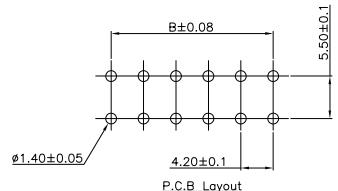
Wafer:WRKD-DSXXXT2NWAA-H
Wafer:WRKD-DDXXXT2NWAA-H
Wafer:WRKD-RSXXXT2NWAA-H
Wafer:WRKD-RDXXXT2NXAA-H

Specifications:
Current Rating:9.0A AC/DC
Voltage Rating:600V AC/DC
Contact Resistance:10m ohm. Max.
Insulation Resistance:1000M ohm. Min.
Withstanding Voltage:1500V AC For One Minute
Operating Temperature Range:-40°C To +105°C

Materials:
Insulator:Nylon 66 (UL94V-0)
Insulator Color:White
Contact:Brass
Plating:Tin Plated

Dimension Information:

Circuits	Dim A	Dim B	Circuits	Dim A	Dim B
2	5.4	—	14	30.6	25.2
4	9.6	4.2	16	34.8	29.4
6	13.8	8.4	18	39.0	33.6
8	18.0	12.6	20	43.2	37.8
10	22.2	16.8	22	47.4	42.0
12	26.4	21.0	24	51.6	46.2



2~24P Protection Key Drawing(Ref.)

RoHS compliant

竣豪電子股份有限公司
Superior Tech Co., Ltd.

General Tolerance	TITLE	Power Wafer PH4.2 Double Row Straight Type	
X. ± 0.5	DRAWN Annie	DATE	NO.
.X ± 0.3		10-24-19'	T230
.XX ± 0.2	CHECK Annie	DATE	PART NO.
.XXX ± 0.1		10-24-19'	WRKD-DDXXXT3NWAB-H
角度 $\pm 5^\circ$	APPROVED Tom	DATE	CUSTOMER NO.
		10-24-19'	

REV.	UNIT	SCALE	
A	mm	1:1	

(Q2-R03-01A) ST-R05-07