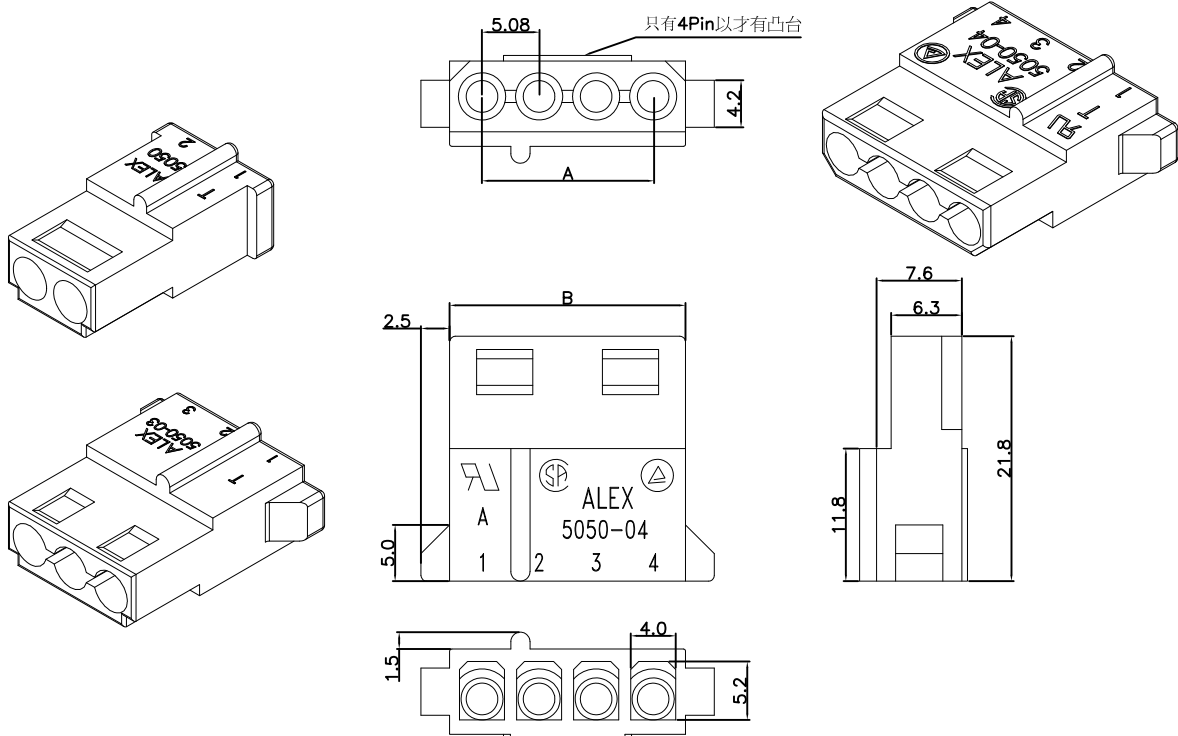


| REV. | DESCRIPTION | DATE |
|------|-------------|------------|
| A | New Drawing | 2012/11/23 |

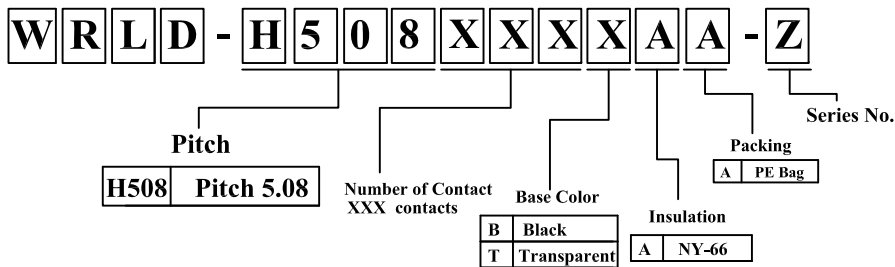


Features:

- 2 ~ 4 circuits available
- Material: UL 94V-2 nylon
- Accepts terminal
- Mates with housing
- Mates with header

Specification:

- Current rating: 7A Max.
- Voltage rating: 250V AC, DC
- Insulation resistance: 1000MΩ Min.
- Dielectric withstanding voltage: 1500V AC/minute
- Ambient temperature range: -40°C ~ 105°C
(including temperature rise)



Dimensional Information (mm)

| Circuits | Dim. A | Dim. B | Circuits | Dim. A | Dim. B | Circuits | Dim. A | Dim. B |
|----------|--------|--------|----------|--------|--------|----------|--------|--------|
| 2 | 5.08 | 10.84 | 3 | 10.16 | 15.92 | 4 | 15.24 | 21.0 |

RoHS Compliant

竣豪電子股份有限公司
Superior Tech Co., Ltd.

| | | | |
|--------------------------|-----------------------------|---|-----------------------------------|
| General Tolerance | | TITLE 200" (5.08mm) Disk Drive Power Connector | |
| X. ± 0.5 | DRAWN YuHongYu | DATE 11-23-12' | NO. T062 |
| .X ± 0.3 | CHECK Zhanghonglan | DATE 11-28-13' | PART NO. WRLD-H508XXXXAA-Z |
| .XX ± 0.2 | APPROVED Gouxiaoping | DATE 11-28-13' | CUSTOMER NO. |
| .XXX ± 0.1 | 角度 ± 5° | | |

| | | | |
|---------------|----------------|------------------|--|
| REV. A | UNIT mm | SCALE 1:1 | |
|---------------|----------------|------------------|--|