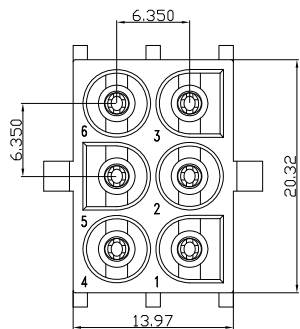
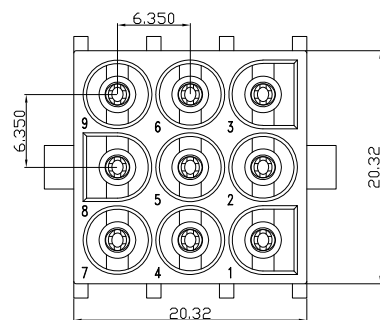


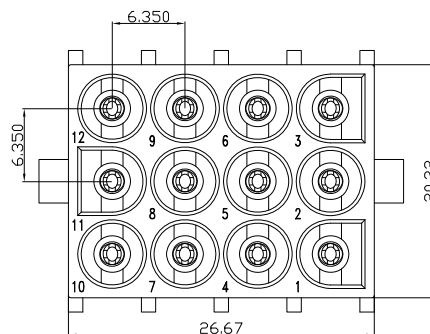
REV.	DESCRIPTION	DATE
A	New Drawing	2012/12/05



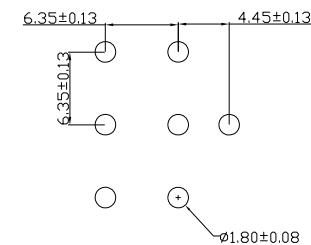
6pin



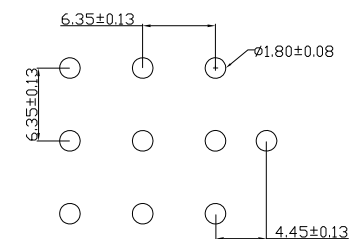
9pin



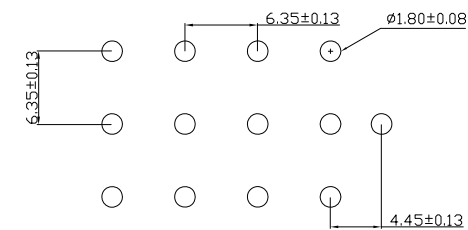
12pin



P. C. board layout
6pin

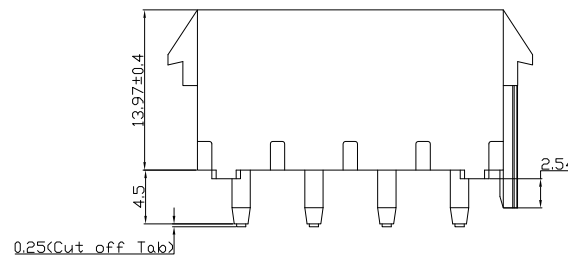
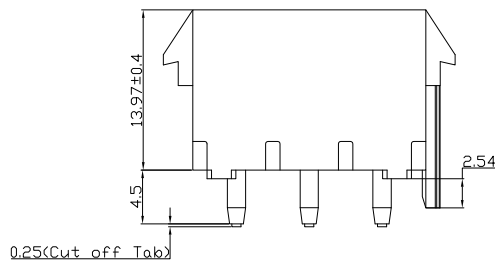
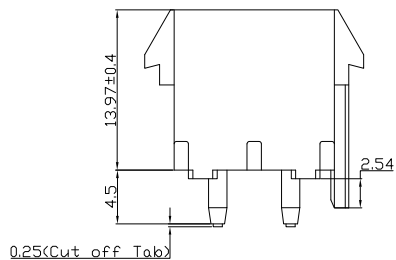


P. C. board layout
9pin

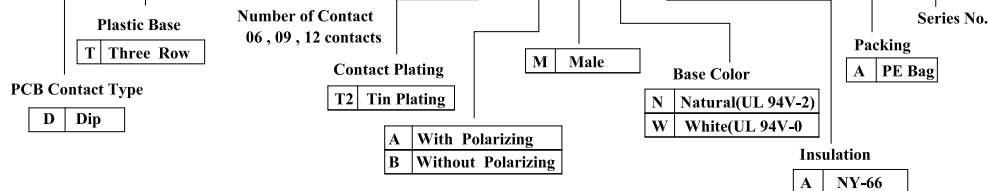


P. C. board layout
12pin

RoHS compliant



WRPA-DTXXXT2XMXXAA-Z

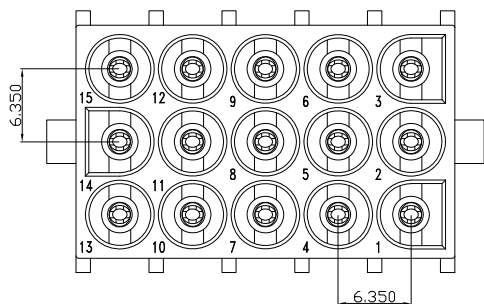


General Tolerance X. ± 0.5 .X ± 0.3 .XX ± 0.2 .XXX ± 0.1 角度 ± 5°	TITLE 250"(6.35mm) Power Connector			
	DRAWN YuHongYu	DATE 12-05-12'	NO. T062	
	CHECK	DATE	PART NO. WRPA-DTXXXT2XMXXAA-Z	
	APPROVED	DATE	CUSTOMER NO.	

竣豪電子股份有限公司
Superior Tech Co., Ltd.

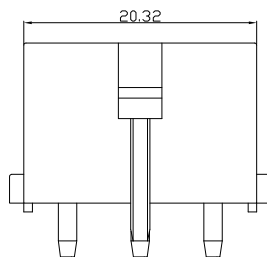
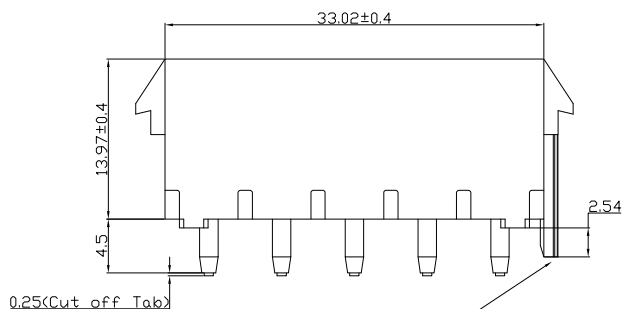
REV. A	UNIT mm	SCALE 1:1	
------------------	-------------------	---------------------	--

REV.	DESCRIPTION	DATE
A	New Drawing	2012/12/06



Ordering Information

Part No.	Insulation material	Feature	Color
WRPA-DT015T2ANAB-Z	UL 94V-2	With Polarizing	Nature
WRPA-DT015T2BNAB-Z		Without Polarizing	
WRPA-DT015T2AWAB-Z	UL 94V-0	With Polarizing	White
WRPA-DT015T2BWAB-Z		Without Polarizing	



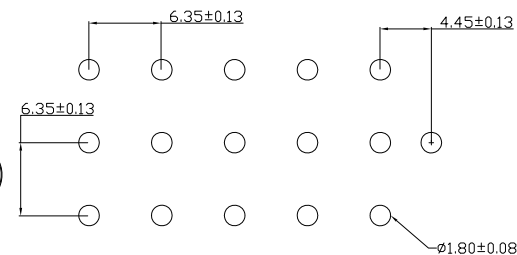
Features:

- 15 circuits available
- Pin Material: Tin-plated phosphor bronze
- Accepts ALEX terminal
- Mates with ALEX housing

Polarizing

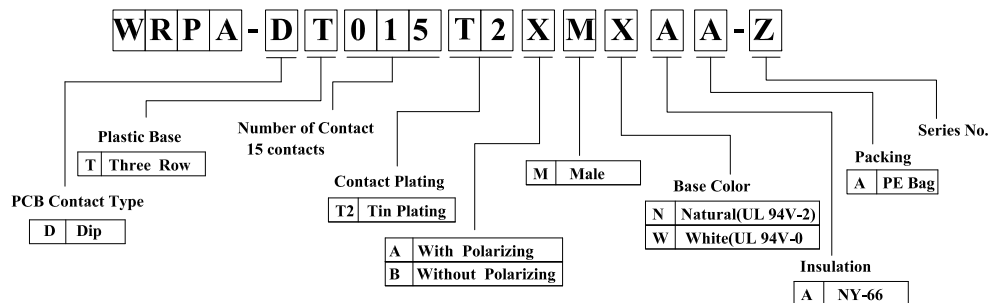
Specification:

- Current rating: 13A (2~4P), 11A (6~15P)
- Voltage rating: 600V
- Dielectric withstanding voltage: 5000V AC/minute
- Ambient temperature rise: -55°C ~ 105°C



P. C. board layout

RoHS compliant



General Tolerance		TITLE		250"(6.35mm) Power Connector	
X. ± 0.5	DRAWN	YuHongYu	DATE	12-06-12'	NO.
.X ± 0.3					
.XX ± 0.2	APPROVED	DATE	WRPA-DT015T2XMXA-Z		
.XXX ± 0.1			CUSTOMER NO.		
角度	± 5°				

竣豪電子股份有限公司
Superior Tech Co., Ltd.

REV.	UNIT	SCALE	
A	mm	1:1	