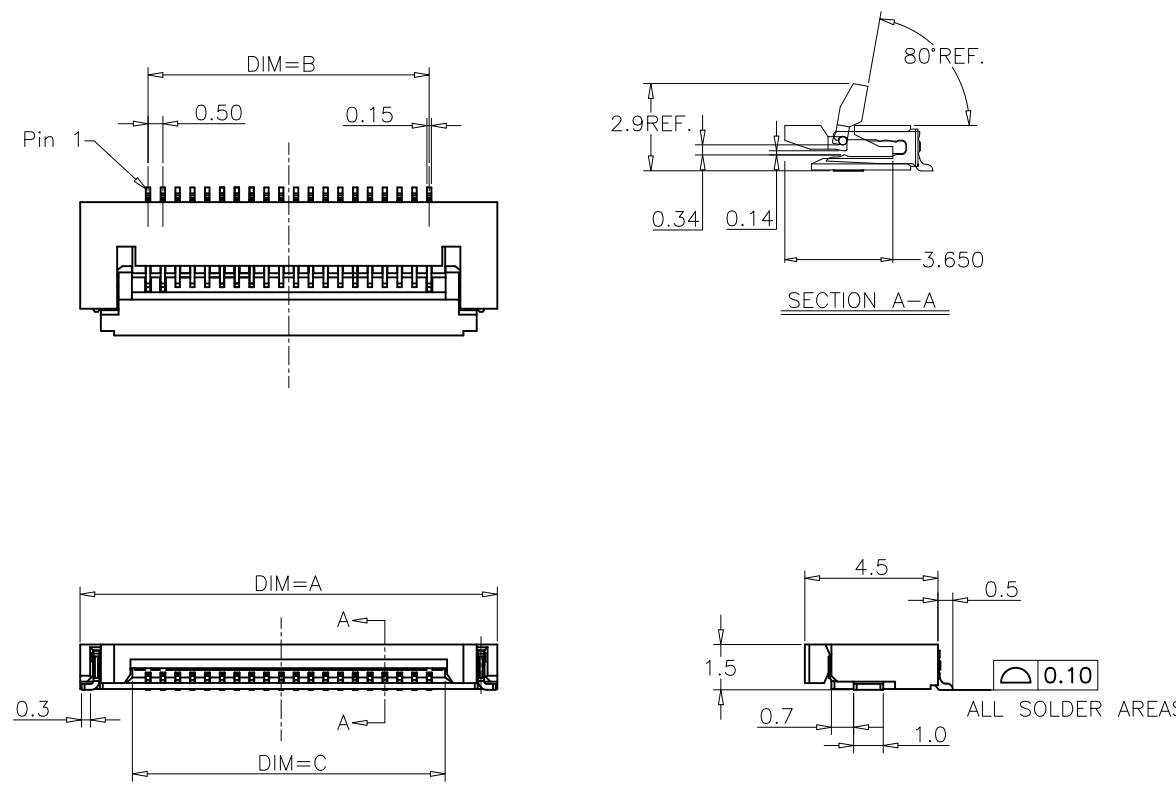
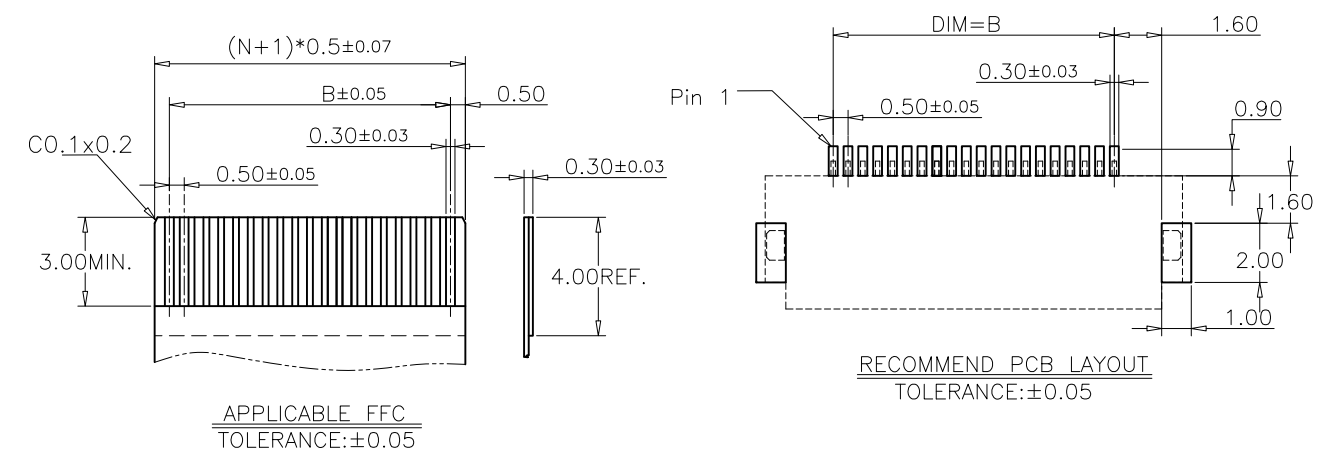
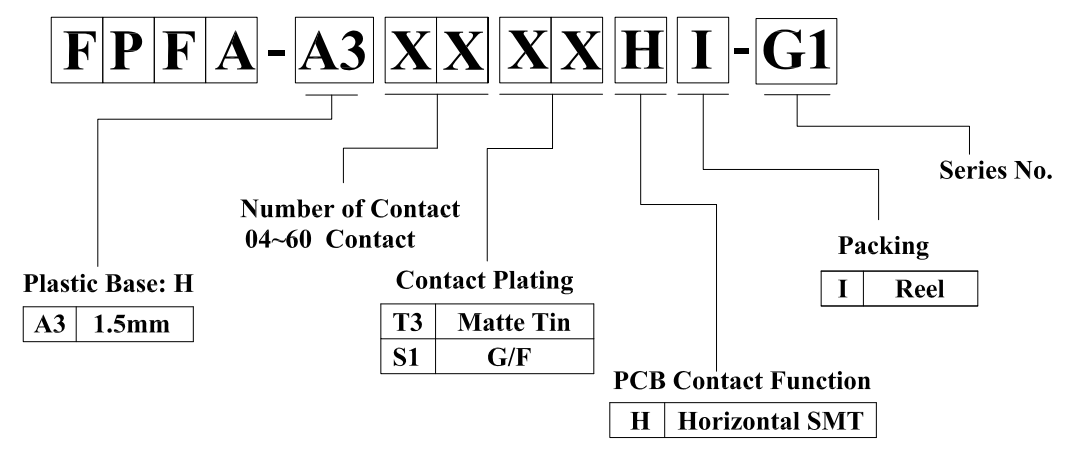
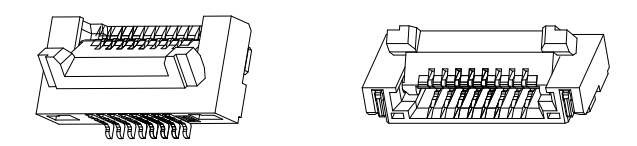


| PIN数 | DIM=A | DIM=B | DIM=C |
|------|-------|-------|-------|
| 4P   | 6.1   | 1.50  | 2.60  |
| 5P   | 6.6   | 2.00  | 3.10  |
| 6P   | 7.1   | 2.50  | 3.60  |
| 7P   | 7.6   | 3.00  | 4.10  |
| 8P   | 8.1   | 3.50  | 4.60  |
| 9P   | 8.6   | 4.00  | 5.10  |
| 10P  | 9.1   | 4.50  | 5.60  |
| 11P  | 9.6   | 5.00  | 6.10  |
| 12P  | 10.1  | 5.50  | 6.60  |
| 13P  | 10.6  | 6.00  | 7.10  |
| 14P  | 11.1  | 6.50  | 7.60  |
| 15P  | 11.6  | 7.00  | 8.10  |
| 16P  | 12.1  | 7.50  | 8.60  |
| 17P  | 12.6  | 8.00  | 9.10  |
| 18P  | 13.1  | 8.50  | 9.60  |
| 19P  | 13.6  | 9.00  | 10.10 |
| 20P  | 14.1  | 9.50  | 10.60 |
| 21P  | 14.6  | 10.00 | 11.10 |
| 22P  | 15.1  | 10.50 | 11.60 |
| 23P  | 15.6  | 11.00 | 12.10 |
| 24P  | 16.1  | 11.50 | 12.60 |
| 25P  | 16.6  | 12.00 | 13.10 |
| 26P  | 17.1  | 12.50 | 13.60 |
| 27P  | 17.6  | 13.00 | 14.10 |
| 28P  | 18.1  | 13.50 | 14.60 |
| 29P  | 18.6  | 14.00 | 15.10 |
| 30P  | 19.1  | 14.50 | 15.60 |
| 31P  | 19.6  | 15.00 | 16.10 |
| 32P  | 20.1  | 15.50 | 16.60 |
| 33P  | 20.6  | 16.00 | 17.10 |
| 34P  | 21.1  | 16.50 | 17.60 |
| 35P  | 21.6  | 17.00 | 18.10 |
| 36P  | 22.1  | 17.50 | 18.60 |
| 37P  | 22.6  | 18.00 | 19.10 |
| 38P  | 23.1  | 18.50 | 19.60 |
| 39P  | 23.6  | 19.00 | 20.10 |
| 40P  | 24.1  | 19.50 | 20.60 |
| 41P  | 24.6  | 20.00 | 21.10 |
| 42P  | 25.1  | 20.50 | 21.60 |
| 43P  | 25.6  | 21.00 | 22.10 |
| 44P  | 26.1  | 21.50 | 22.60 |
| 45P  | 26.6  | 22.00 | 23.10 |
| 46P  | 27.1  | 22.50 | 23.60 |
| 47P  | 27.6  | 23.00 | 24.10 |
| 48P  | 28.1  | 23.50 | 24.60 |
| 49P  | 28.6  | 24.00 | 25.10 |
| 50P  | 29.1  | 24.50 | 25.60 |
| 51P  | 29.6  | 25.00 | 26.10 |
| 52P  | 30.1  | 25.50 | 26.60 |
| 53P  | 30.6  | 26.00 | 27.10 |
| 54P  | 31.1  | 26.50 | 27.60 |
| 55P  | 31.6  | 27.00 | 28.10 |
| 56P  | 32.1  | 27.50 | 28.60 |
| 57P  | 32.6  | 28.00 | 29.10 |
| 58P  | 33.1  | 28.50 | 29.60 |
| 59P  | 33.6  | 29.00 | 30.10 |
| 60P  | 34.1  | 29.50 | 30.60 |

| REV. | DESCRIPTION | DATE      |
|------|-------------|-----------|
| A    | New Drawing | 2020/7/20 |



- Note:
- Material
    - 1.1: Housing: LCP UL94-V0 Color:Black.
    - 1.2: Actuator: LCP UL94-V0 Color:Black.
    - 1.3: Contact: Phosphor Bronze.
    - 1.4: LEG: Brass.
  - Plating
    - 2.1: Contact: Matte Tin Or Gold Plating Nickel Overall.
    - 2.2: LEG: Matte Tin Plating Over Nickel.
  - Rating:
    - 3.1: Operating Voltage: 50V AC/DC.
    - 3.2: Current Rating: 0.4A AC/DC.
    - 3.3: Operating Temperature: -25°C~+85°C.



RoHS compliant

|                                              |  |  |                   |              |                                      |                           |
|----------------------------------------------|--|--|-------------------|--------------|--------------------------------------|---------------------------|
| 竣豪電子股份有限公司<br><b>Superior Tech Co., Ltd.</b> |  |  | General Tolerance |              | TITLE FPC PH0.5 掀蓋式 H1.5 臥式 SMT(下接觸) |                           |
|                                              |  |  | X. ± 0.5          | DRAWN Annie  | DATE 07-20-20'                       | NO. D081                  |
| REV. A UNIT mm SCALE 1:1                     |  |  | .X ± 0.3          | CHECK Annie  | DATE 07-20-20'                       | PART NO. FPFA-A3XXXXHI-G1 |
|                                              |  |  | .XX ± 0.2         | APPROVED Tom | DATE 07-20-20'                       | CUSTOMER NO.              |
|                                              |  |  | .XXX ± 0.1        |              |                                      |                           |
|                                              |  |  | 角度 ± 5°           |              |                                      |                           |