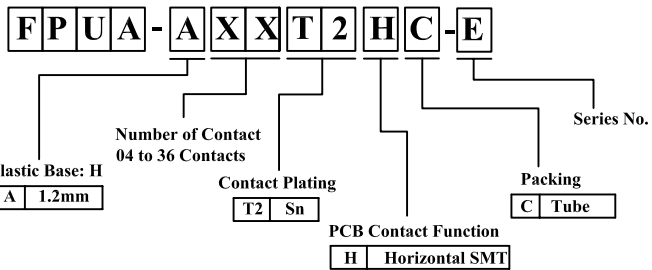


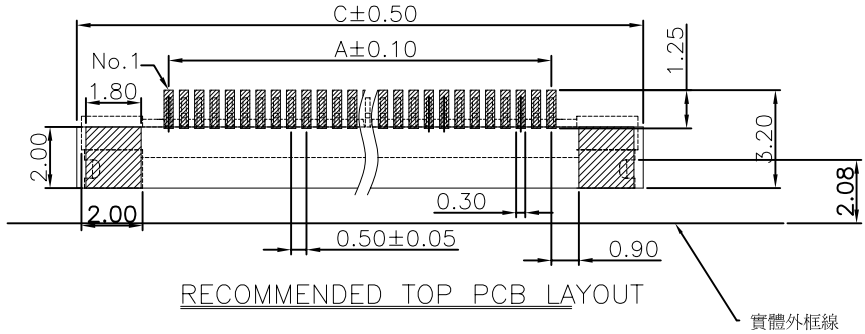
Pin位	A	B	C	Pin位	A	B	C
4	1.5	2.6	7.3	21	10	11.1	15.8
5	2	3.1	7.8	22	10.5	11.6	16.3
6	2.5	3.6	8.3	23	11	12.1	16.8
7	3	4.1	8.8	24	11.5	12.6	17.3
8	3.5	4.6	9.3	25	12	13.1	17.8
9	4	5.1	9.8	26	12.5	13.6	18.3
10	4.5	5.6	10.3	27	13	14.1	18.8
11	5	6.1	10.8	28	13.5	14.6	19.3
12	5.5	6.6	11.3	29	14	15.1	19.8
13	6	7.1	11.8	30	14.5	15.6	20.3
14	6.5	7.6	12.3	31	15	16.1	20.8
15	7	8.1	12.8	32	15.5	16.6	21.3
16	7.5	8.6	13.3	33	16	17.1	21.8
17	8	9.1	13.8	34	16.5	17.6	22.3
18	8.5	9.6	14.3	35	17	18.1	22.8
19	9	10.1	14.8	36	17.5	18.6	23.3
20	9.5	10.6	15.3				



REV.	DESCRIPTION	DATE
A	New Drawing	2010/06/29

LTR	Part Name	Material	Description	QTY
1	Housing	NY-46 UL94V-0	Initial : 500M Ohms Min. Color: Natural	1
2	Locker	PPS UL94V-0	Initial : 500M Ohms Min. Color: Brown	1
3	Contact	Phosphor Bronze	Initial : 30m Ohms Max. Tin/Lead-Psated Voltage Rating: 50V AC,DC	xx
4	Solder Tab	Phosphor Bronze	Tin/Lead-Psated	2

Temperature Rating : -20°C ~ +85°C .
Dielectric Withstanding Voltage : 500V AC/Min



APPLICABLE FPC

RoHS Compliant

竣豪電子股份有限公司
Superior Tech Co., Ltd.

General Tolerance X. ± 0.5 .X ± 0.3 .XX ± 0.2 .XXX ± 0.1 角度 ± 5°	TITLE FPC P0.5 Horizontal SMT H1.2 抽屜式上接	
	DRAWN LIUHU	DATE 06-29-10'
	CHECK	NO. S005
	APPROVED	PART NO. FPUA-AXXT2HC-E
	CUSTOMER NO.	

REV.	UNIT	SCALE	
A	mm	1:1	