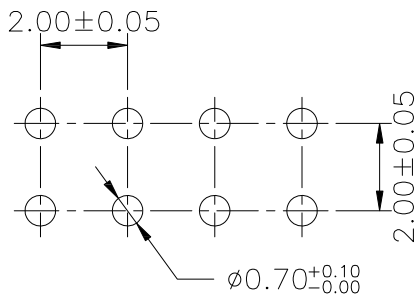
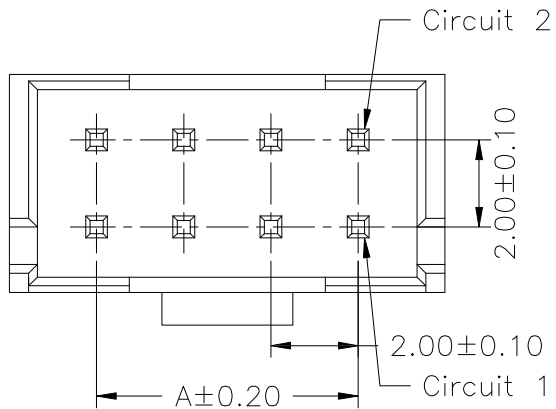
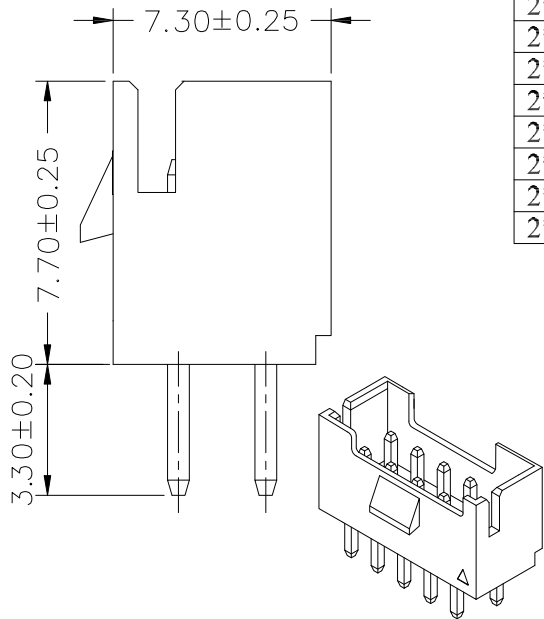
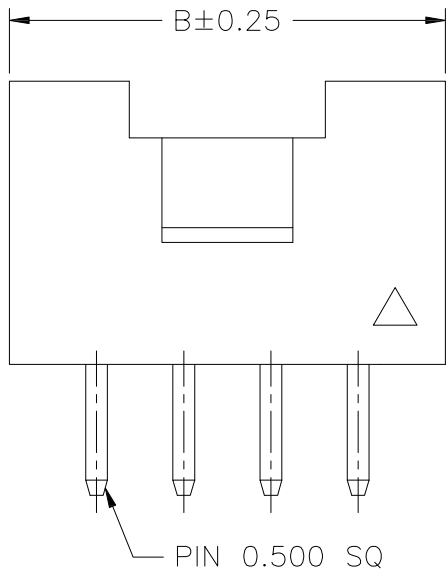


REV.	DESCRIPTION	DATE
A	New Drawing	2013/05/16
B	圖面變更	2017/04/06



P.C.B LAYOUT



Ordering Information & Dimensions

Poles	Dimensions (mm)	
	A	B
2*4	6.00	10.00
2*5	8.00	12.00
2*6	10.00	14.00
2*7	12.00	16.00
2*8	14.00	18.00
2*9	16.00	20.00
2*10	18.00	22.00
2*11	20.00	24.00
2*12	22.00	26.00
2*13	24.00	28.00
2*14	26.00	30.00
2*15	28.00	32.00
2*16	30.00	34.00
2*17	32.00	36.00
2*19	36.00	40.00
2*20	38.00	42.00

Specifications (规格):

- Voltage rating (额定电压): 250V AC / DC
- Current rating (额定电流): 3A AC / DC
- Withstanding voltage (耐压值): 800V AC/minute
- Temperature range (工作温度): -40° C~+105° C
- Insulation resistance (绝缘电阻): $\geq 10000\Omega$
- Contact resistance (接触电阻): $\leq 10m\Omega$

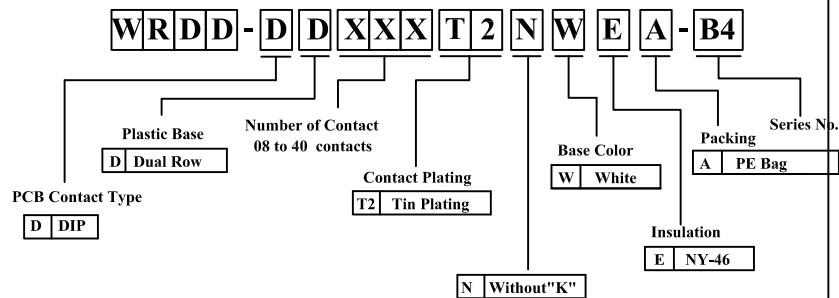
*Material:

PIN: Brass/Tin-plated
Wafer: PA46, UL94V-0/Natural (White)

*Suitable

WRDD-H20XXXWAA-B4 Housing

- ① Appearance: V- Stright 180°
- ② feature type: B-BType(中间带扣)
- ③ Soldering type: Blank-Dip S-SMT K- hollow needle
- ④ The numbe of pin:204-2*2P....240-2*20P
- ⑤ Material: 46-PA46 UL94V-0
- ⑥ Color: NA-Natural
- ⑦ Plating: T-Tin-plated



RoHS Compliant

竣豪電子股份有限公司
Superior Tech Co., Ltd.

General Tolerance

X. ± 0.5
.X ± 0.3
.XX ± 0.2
.XXX ± 0.1
角度 ± 5°

TITLE

Housing 2.0mm Crimp Style connectors

DRAWN YuHongYu	DATE 05-16-13'	NO. T134
CHECK Andy	DATE 04-06-17'	PART NO. WRDD-DDXXXT2NWEA-B4
APPROVED	DATE	CUSTOMER NO.

REV.	UNIT	SCALE
B	mm	1:1

