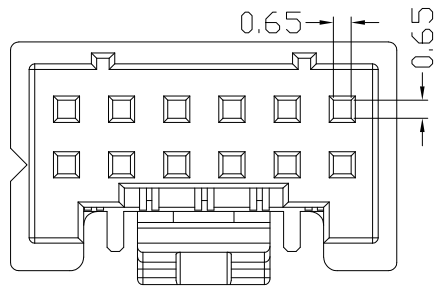
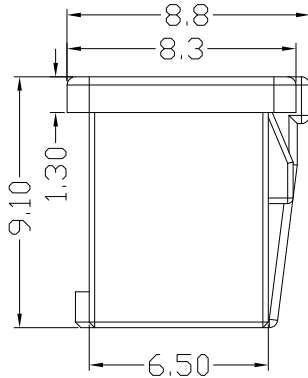
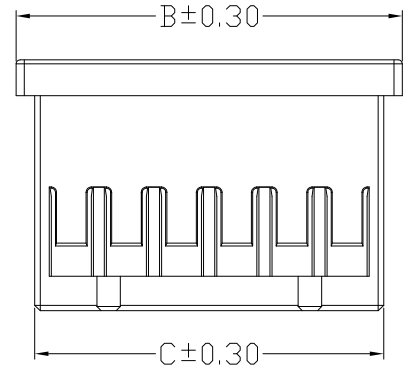
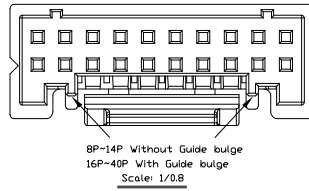
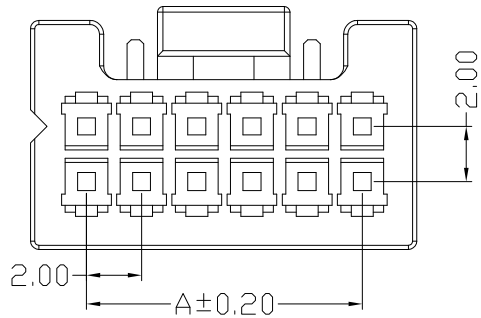


REV.	DESCRIPTION	DATE
A	New Drawing	2023/08/25



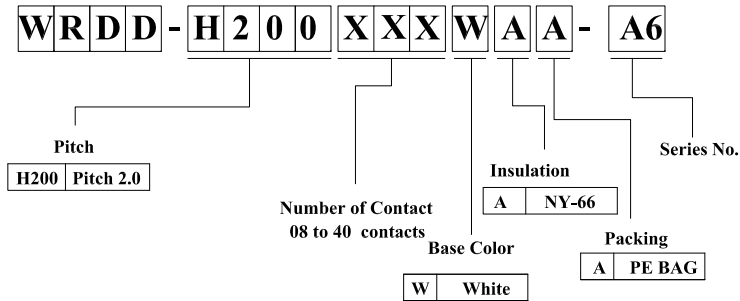
NOTE:
 Current rating:3A AC,DC
 Voltage rating:250V AC,DC
 Temperature range:-25℃~+85℃
 Insulation resistance:1000MΩ/Min
 Withstanding voltage:1000V AC/minute
 Contact resistance:10mΩ/Max

Wafer:WRDD-DDXXXT2NNXX-X-A4

Housing:WRDD-H200XXXWAA-A6

Terminal:CU-PT2-X-A6

CSG PART NO.	Dimension mm		
	A	B	C
2*4Pin	6.00	10.00	8.65
2*5Pin	8.00	12.00	10.65
2*6Pin	10.00	14.00	12.65
2*7Pin	12.00	16.00	14.65
2*8Pin	14.00	18.00	16.65
2*9Pin	16.00	20.00	18.65
2*10Pin	18.00	22.00	20.65
2*11Pin	20.00	24.00	22.65
2*12Pin	22.00	26.00	24.65
2*13Pin	24.00	28.00	26.65
2*14Pin	26.00	30.00	28.65
2*15Pin	28.00	32.00	30.65
2*16Pin	30.00	34.00	32.65
2*17Pin	32.00	36.00	34.65
2*18Pin	34.00	38.00	36.65
2*19Pin	36.00	40.00	38.65
2*20Pin	38.00	42.00	40.65



RoHS

竣豪電子股份有限公司
Superior Tech Co., Ltd.

REV.	UNIT mm	SCALE 1:1		General Tolerance	TITLE	PH2.0 Housing		
				X. ± 0.5	DRAWN	DATE	NO.	
				.X ± 0.3	Tom		08-25-23'	D080
				.XX ± 0.2	CHECK	DATE	PART NO.	
				.XXX ± 0.1	APPROVED	DATE	CUSTOMER NO.	
角度	± 5°							

(Q2-R03-01A) ST-R05-07