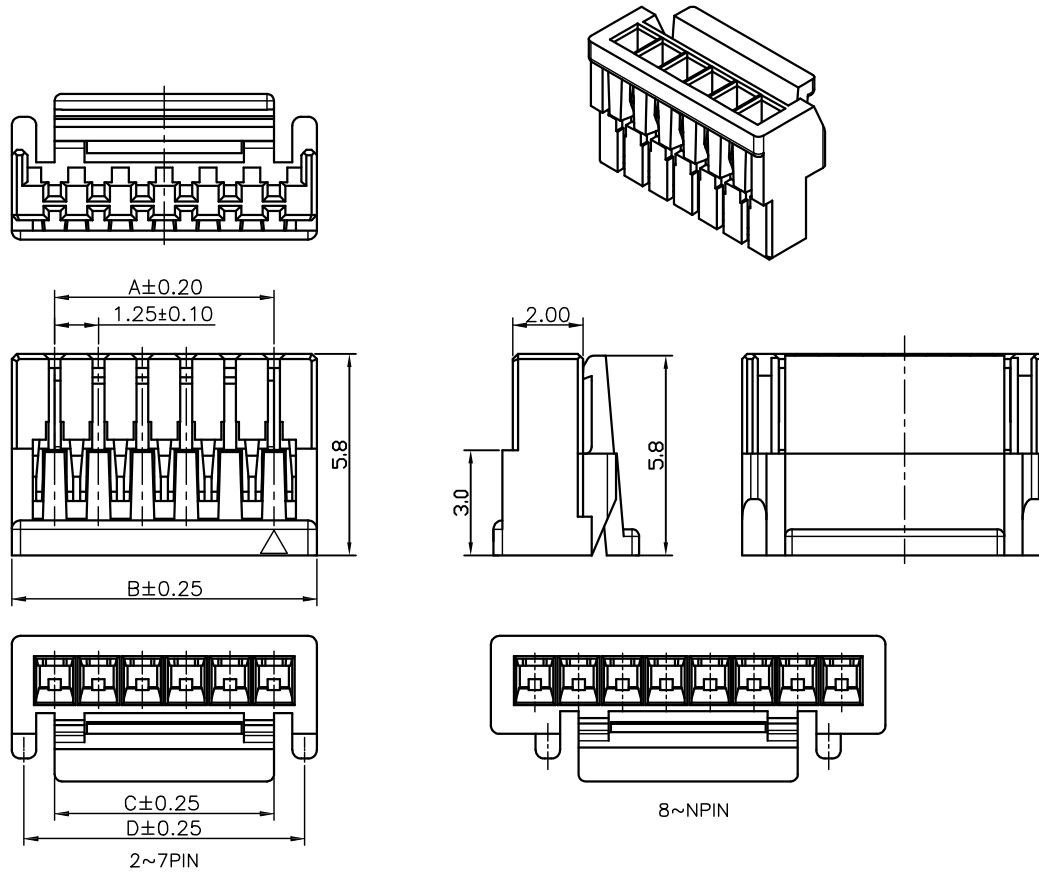


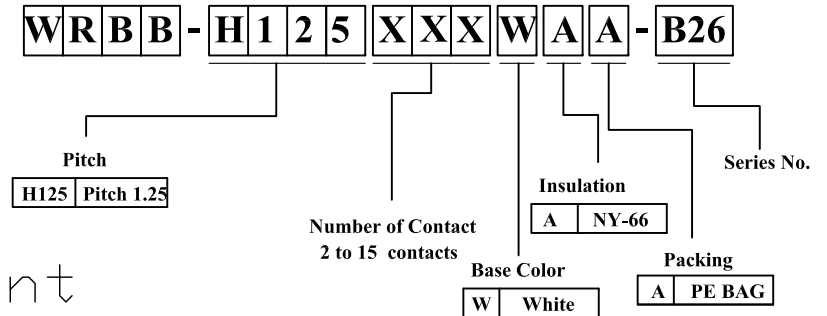
REV.	DESCRIPTION	DATE
A	New Drawing	2022/12/08



Specifications:  
 Rated Voltage : 50V AC/DC  
 Withstand Voltage : 500V AC/minute  
 Contact Resistance : 30mΩ(MAX.)  
 Insulation Resistance : 100MΩ(MIN.)  
 Temperature Range : -25°C~+85°C

Circuits Part No	Dimensions			
	A	B	C	D
2P	--	3.65	1.95	3.20
3P	2.50	4.90	3.00	4.20
4P	3.75	6.15	4.25	5.45
5P	5.00	7.40	4.25	6.70
6P	6.25	8.65	6.25	8.00
7P	7.50	9.90	6.25	9.25
8P	8.75	11.15	6.25	8.00
9P	10.00	12.40	6.25	8.00
10P	11.25	13.65	8.25	10.00
11P	12.50	14.90	8.25	10.00
12P	13.75	16.15	8.25	10.00
13P	15.00	17.40	8.25	10.00
14P	16.25	18.65	8.25	10.00
15P	17.50	19.90	8.25	10.00

Wafer:WRBB-SSXXXT2ONBE-B26  
 Wafer:WRBB-HSXXXT2ONBI-B26  
 Housing:WRBB-H125XXXWAA-B26  
 Terminal:CU-PXX-B26



RoHS compliant

竣豪電子股份有限公司 <b>Superior Tech Co., Ltd.</b>				General Tolerance		TITLE		1.25mm Housing			
				X. ± 0.5		DRAWN		DATE		NO.	
REV.		UNIT		SCALE		Jacky		12-08-22'		D076	
A		mm		1:1		Tom		12-08-22'		PART NO.	
						APPROVED		12-08-22'		WRBB-H125XXXWAA-B26	
						Tom		12-08-22'		CUSTOMER NO.	