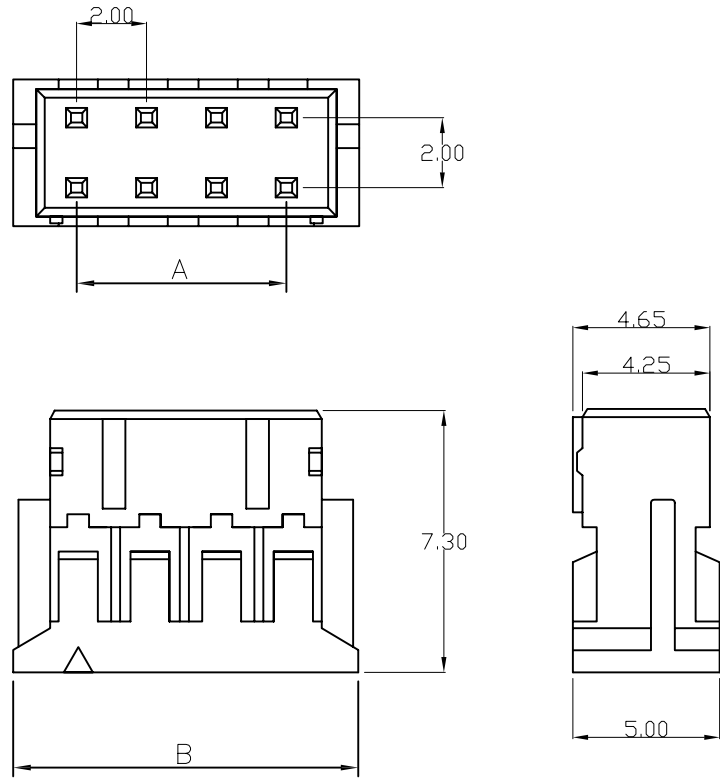


REV.	DESCRIPTION	DATE
A	New Drawing	2010/04/16
B	增加 2X2PIN	2010/07/07



SPECIFICATIONS

Current rating: 2A AC/DC  
Voltage rating: 250V AC/DC  
Temperature range: 25°C to +85°C  
Contact resistance: 20mΩ Max  
Insulation resistance: 1000MΩ Min  
Withstanding voltage: 800V AC/minute  
Material: Nylon 66 UL 94V-0

Poles	Dimension (mm)		Part No.	Note.
	A	B		
2x2	2.00	5.90	PHD-H20-2X2	
2x3	4.00	7.90	PHD-H20-2X3	
2x4	6.00	9.90	PHD-H20-2X4	
2x5	8.00	11.90	PHD-H20-2X5	
2x6	10.00	13.90	PHD-H20-2X6	
2x7	12.00	15.90	PHD-H20-2X7	
2x8	14.00	17.90	PHD-H20-2X8	
2x9	16.00	19.90	PHD-H20-2X9	
2x10	18.00	21.90	PHD-H20-2X10	
2x11	20.00	23.90	PHD-H20-2X11	
2x12	22.00	25.90	PHD-H20-2X12	
2x13	24.00	27.90	PHD-H20-2X13	
2x14	26.00	29.90	PHD-H20-2X14	
2x15	28.00	31.90	PHD-H20-2X15	
2x16	30.00	33.90	PHD-H20-2X16	

RoHS compliant

<b>竣豪電子股份有限公司</b> <b>Superior Tech Co., Ltd.</b>			General Tolerance		TITLE		Wafer PH2.0雙排Housing 系列				
			X. ± 0.5		DRAWN		DATE		NO.		
REV. B		UNIT mm		SCALE 1:1		LIUHU		07-07-10'		T003	
						CHECK		DATE		PART NO.	
REV. B		UNIT mm		SCALE 1:1		APPROVED		DATE		CUSTOMER NO.	
						角度 ± 5°					