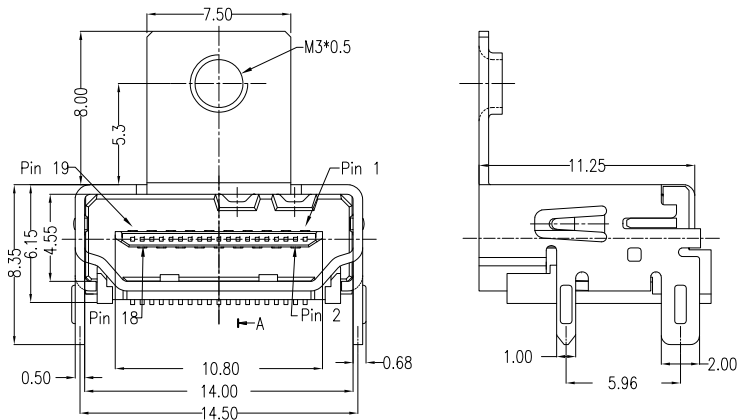


REV.	DESCRIPTION	DATE
A	New Drawing	2020/2/17



Pin No.	Signal Name	Pin No.	Signal Name
1	TMDS Data2+	11	TMDS Clock Shield
2	TMDS Data2 Shield	12	TMDS Clock-
3	TMDS Data2-	13	CEC
4	TMDS Data1+	14	Reserved (in cable but N.C. on device)
5	TMDS Data1 Shield	15	SCL
6	TMDS Data1-	16	SDA
7	TMDS Data0+	17	DDC/CEC Ground
8	TMDS Data0 Shield	18	+5V Power
9	TMDS Data0-	19	Hot Plug Detect
10	TMDS Clock+		

**NOTES:**

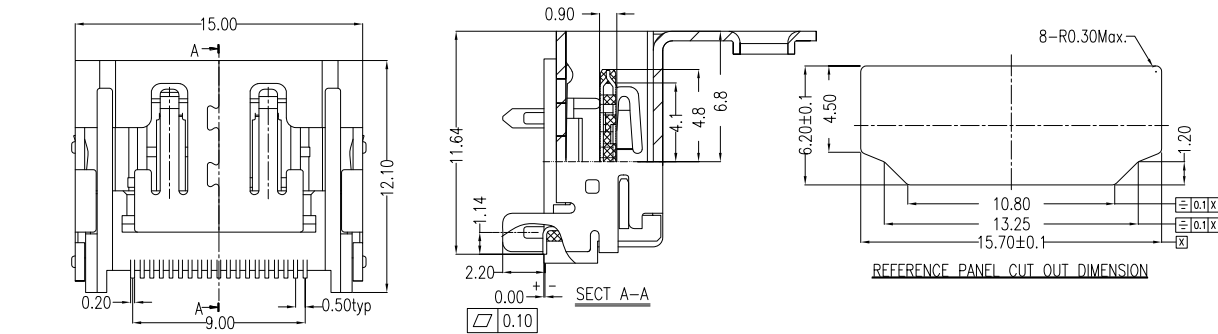
**\*Material**  
Housing: LCP, UL 94V-0 Rated; Color: Black.  
Shield: Brass.  
Plating: Ni(40u" Min.) Plating .  
Contact: Brass.  
Plating: Au plating on contact area;  
Sn(100u" Min.) plating on solder tail;  
Ni(50u" Min.) underplating overall.

**\*Electrical Specification**

Operation Voltage: 40 VAC max.  
Current Rating: 0.5 Ampere per contact  
Contact Resistance: 10 mΩ max.  
Insulation Resistance: 100 MΩ min.  
Dielectric Withstanding Voltage: 500 VAC

**\*Environmental**

Operating Temperature: -55°C to +85°C



**HDMI - S 019 XX B W B - A25**

Series No.

PCB Contact Type: **S** SMT

Number of Contact: **19** contacts

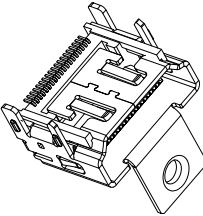
Contact Plating:

S1	Glod flash
S4	Glod 5u"
S7	Glod 15u"
S9	Glod 30u"

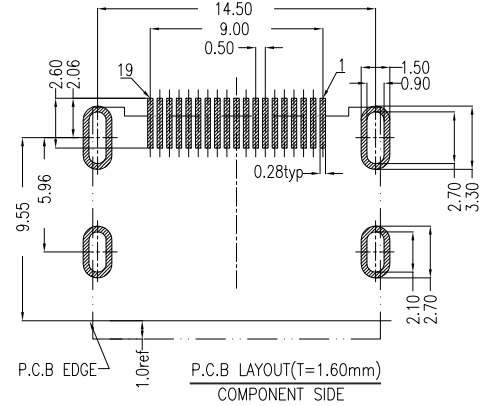
Shell Material: **B** Brass

Packing: **B** Tray

Flange: **W** With Flange



RoHS compliant

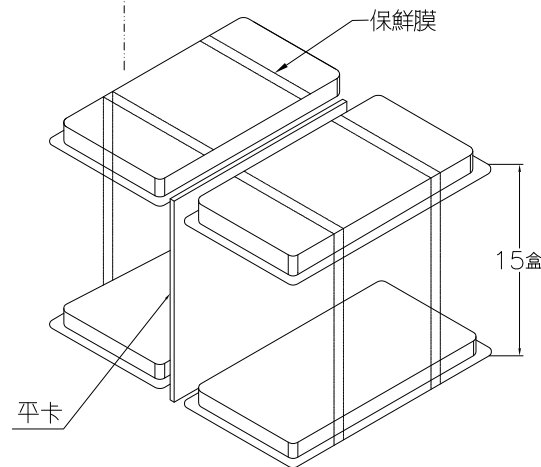
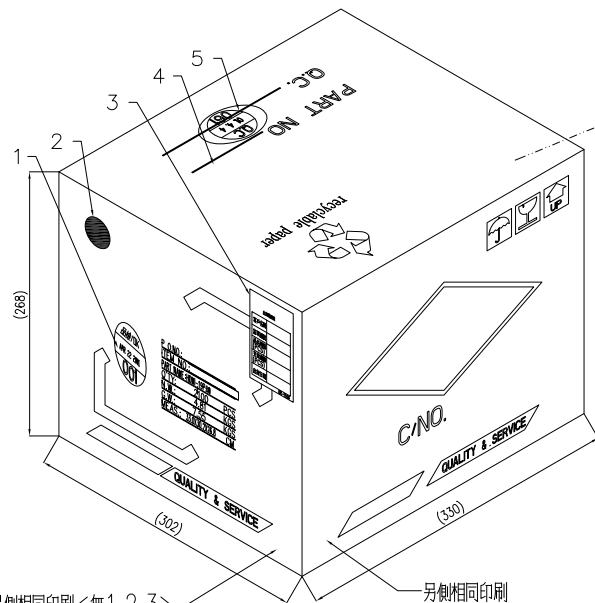


竣豪電子股份有限公司  
**Superior Tech Co., Ltd.**

General Tolerance	TITLE	HDMI SMT TYPE WITH FLANGE	
X. ± 0.5	DRAWN	DATE	NO.
.X ± 0.3	Annie	2-17-20'	T015
.XX ± 0.2	CHECK	DATE	PART NO.
.XXX ± 0.1	Annie	2-17-20'	HDMI-S019XXBWB-A25
角度 ± 5°	APPROVED	DATE	CUSTOMER NO.
	Tom	2-17-20'	1/2

REV.	UNIT	SCALE	
A	mm	1:1	

REV.	DESCRIPTION	DATE
A	New Drawing	2020/2/17



客戶名稱	
訂單編號	
品名規格	
交貨總數 (PCS)	
單箱數量 (PCS)	
出貨日期	

另側相同印刷<無1.2.3> 另側相同印刷  
30TRAY/CARTON

**\*PACKING**

70PCS/TRAY  
2100 PCS/CARTON

**\*PACKING DETAILS**

P/O.NO.:

ITEM NO.:

PART NAME:HDMI-19P公座

Q'TY: 2100 PCS

N.W.: 4.81 KGS

G.W.: 7.55 KGS

MEAS.:33.0X30.2X26.8 CM

**注:**

材質 :外箱為A=A(雙浪型)  
平卡(1pcs):A|A 262\*295mm  
PE袋:370\*475\*0.05mm

- 1.每盒裝70pcs產品,15盒捆一匣裝一PE袋,兩匣用平卡隔開裝一箱。
- 2.易吸濕產品在袋內加放一包干燥劑,外箱貼易吸濕標籤。

**\*加蓋印記位置**

- 1.品管注介章(檢驗合格章)
- 2.月份標記
- 3.出貨明細表
- 4.該產品料號.
- 5.生產制造日期,檢驗員代號.

RoHS compliant

竣豪電子股份有限公司  
**Superior Tech Co., Ltd.**

REV.	A	UNIT mm	SCALE 1:1		General Tolerance	TITLE	HDMI SMT TYPE WITH FLANGE 包裝圖	
					X. ± 0.5	DRAWN	DATE	NO.
					.X ± 0.3	Annie	02-17-20'	T015
					.XX ± 0.2	CHECK	DATE	PART NO.
					.XXX ± 0.1	Annie	02-17-20'	HDMI-S019XXBWB-A25
角度	± 5°	APPROVED	DATE	CUSTOMER NO.				
					Tom	02-17-20'	2/2	