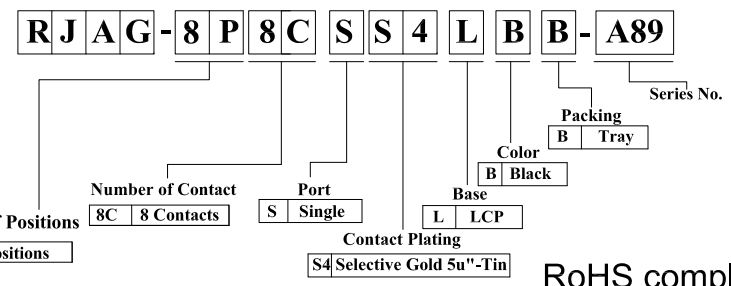
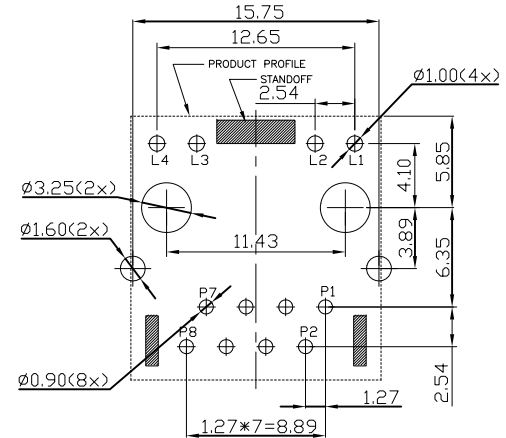
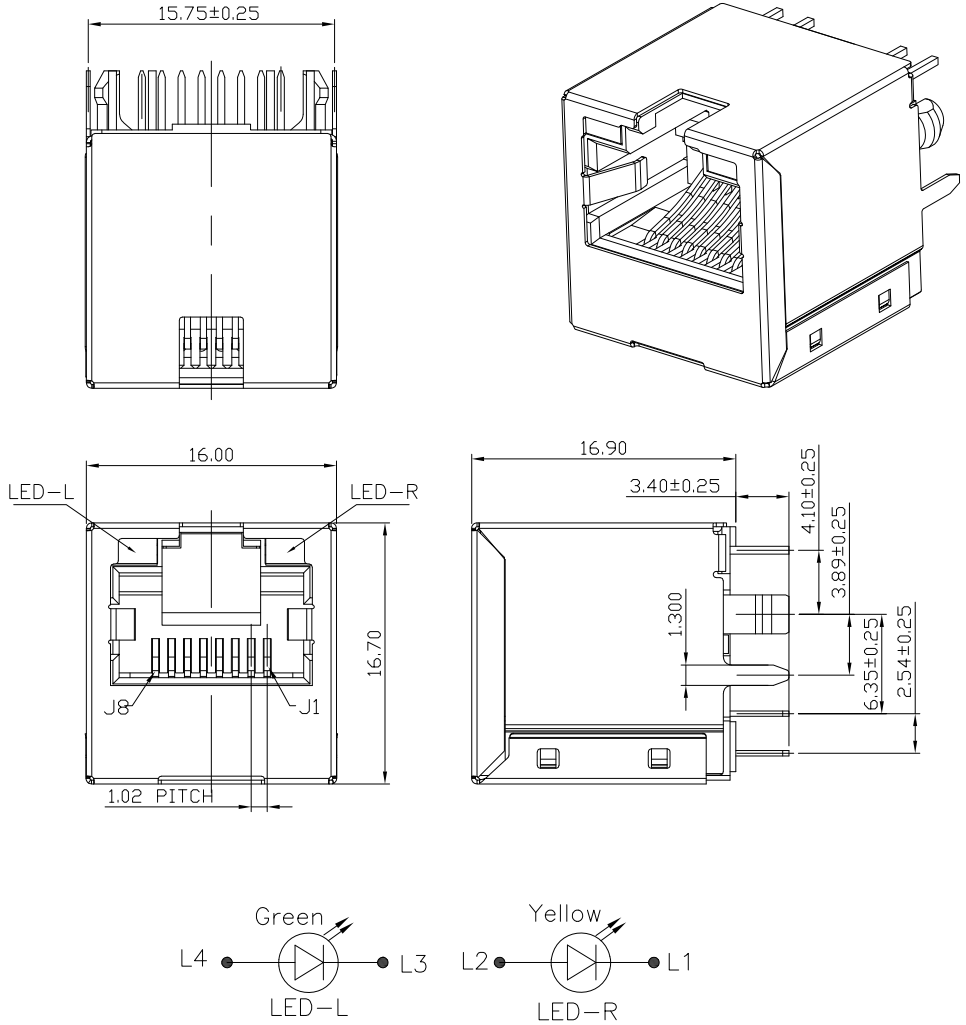


REV.	DESCRIPTION	DATE
A	New Drawing	2022/11/09

NOTE:  
 1. MATERIALS AND FINISH  
 1.1 HOUSING: LCP. UL94V-0. BLACK  
 1.2 CASE: LCP. UL94V-0. BLACK  
 1.3 COVER: NYLON. UL94V-0. BLACK  
 1.4 SHELL: C2680, T=0.25mm, PLATED NICKEL OVER ALL.  
 1.5 RJ45 OUTPUT TERMINAL: C5191,  
 T=0.35mm, 5U" GOLD PLATED IN CONTACT AREA,  
 1.6 RJ45 INPUT TERMINAL: C2680, T=0.35mm, PLATED TIN OVER ALL  
 1.7 MODULE TERMINAL: PHOSPHOR BRONZE C5100, OD=0.4mm, PLATED TIN OVER ALL  
 2. ENVIRONMENT CHARACTERISTICS:  
 2.1 OPERATION TEMPERATURE: -40°C~85°C  
 2.2 STORAGE TEMPERATURE: -40°C~85°C



RoHS compliant

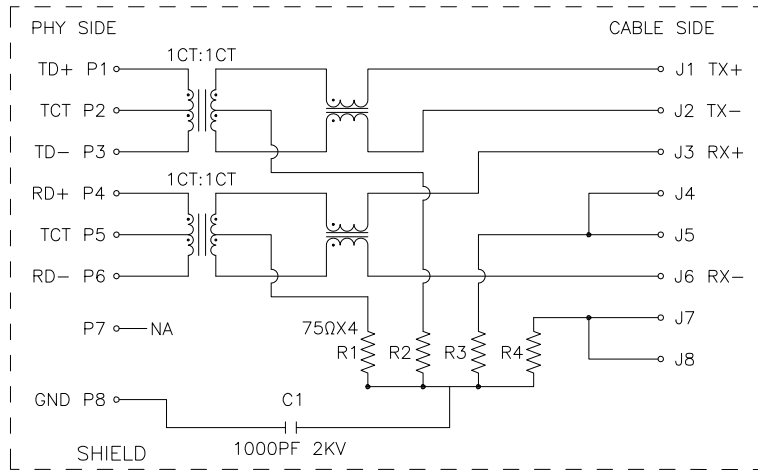
竣豪電子股份有限公司  
**Superior Tech Co., Ltd.**

General Tolerance	TITLE	RJ45 H16.9 LCP料 DIP, With Shell, With LED	
X. ± 0.5	DRAWN	DATE	NO.
.X ± 0.3	Jacky	11-09-22'	T183
.XX ± 0.2	CHECK	DATE	PART NO.
.XXX ± 0.1	Tom	11-09-22'	RJAG-8P8CSS4LBB-A89
角度 ± 5°	APPROVED	DATE	CUSTOMER NO.
	Tom	11-09-22'	

REV.	UNIT	SCALE	
A	mm	1:1	

(Q2-R03-01A) ST-R05-07

REV.	DESCRIPTION	DATE
A	New Drawing	2022/11/09



### 3.ELECTRICAL CHARACTERISTICS:

Test Temperature:(25±5°C)

3.1 INSULATION RESISTANCE:500 MEGOHMS MINIMUM.

3.2 CONTACT RESISTANCE:30 MILLIOHMS MAXIMUM

### 4.TRANSMITTER FILTER & RECEIVER FILTER

4.1 TYPE:BALANCE LOW PASS 100 OHMS IMPEDANCE

4.2 INSERTION LOSS

-1.0dB MAXIMUM At 1MHZ To 100MHZ

4.3 RETURN LOSS

-18dB MINIMUM At 1MHz To 30MHz LOAD 100 OHMS

-16dB MINIMUM At 30MHz To 60MHz LOAD 100 OHMS

-12dB MINIMUM At 60MHz To 80MHz LOAD 100 OHMS

4.4 COMMON MODE REJECTION:

-30dB MINIMUM At 1MHz To 100MHz

4.5 CROSS TALK:

-30dB MINIMUM At 1MHz To 100MHz

4.6 INDUCTANCE@100KHz,100mV,8mA,Dc Bias

INPUT:(J1-J2);(J3-J6):350uH MINIMUM

4.7 HI-POT:

INPUT TO OUTPUT:1500VAC FOR 60 Seconds 1mA

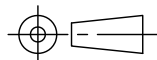
OR 2250VDC FOR 60 Seconds 1mA

RoHS compliant

竣豪電子股份有限公司  
**Superior Tech Co., Ltd.**

General Tolerance		TITLE	RJ45 H16.9 LCP料 DIP,With Shell,With LED	
X. ± 0.5		DRAWN	DATE	NO.
.X ± 0.3		Jacky	11-09-22'	T183
.XX ± 0.2		CHECK	DATE	PART NO.
.XXX ± 0.1		Tom	11-09-22'	RJAG-8P8CSS4LBB-A89
角度	± 5°	APPROVED	DATE	CUSTOMER NO.
		Tom	11-09-22'	

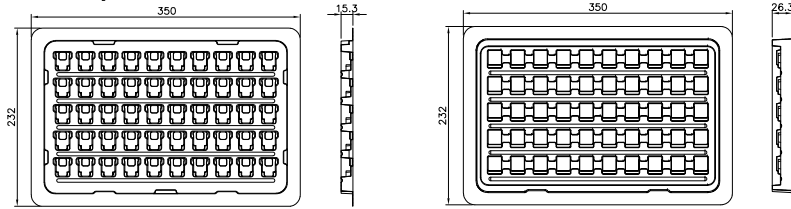
REV.	UNIT	SCALE
A	mm	1:1



(Q2-R03-01A) ST-R05-07

REV.	DESCRIPTION	DATE
A	New Drawing	2022/11/14

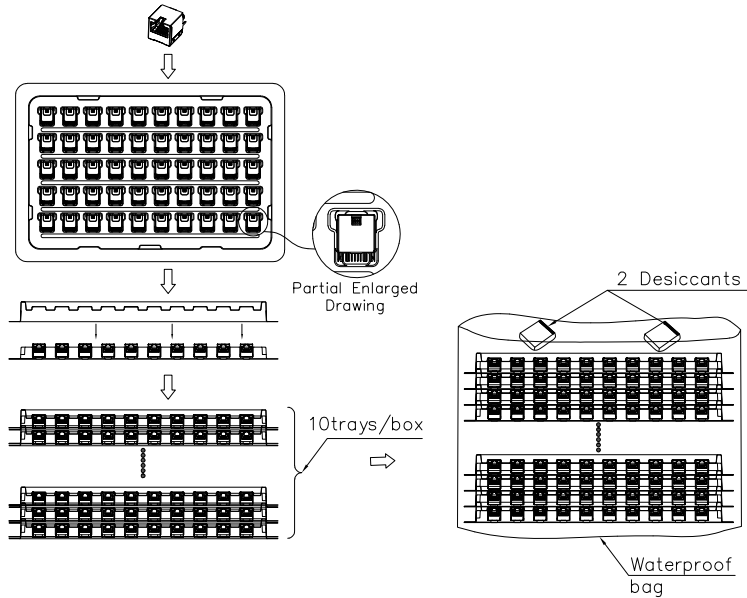
1. Tray Size



Bottom Cover : 350mm\*232mm\*15.3mm

Top Cover: 350mm\*232mm\*26.3mm

2. Technological Process



3. Packing Materials

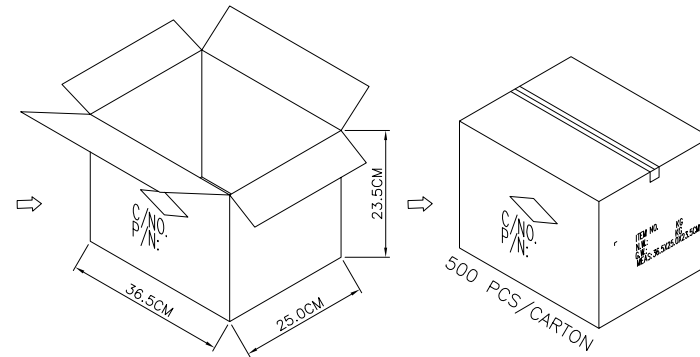
List	Packing Size
Bottom Cover	350mm*232mm*15.3mm
Top Cover	350mm*232mm*26.3mm
Carton	365X250X235mm

4. Package Quantity

pcs/tray	tray/box	pcs/box
50	10	500

5. Packed Weight

N.W.	G.W.
2.9 KG	4.5 KG



RoHS compliant

竣豪電子股份有限公司  
**Superior Tech Co., Ltd.**

General Tolerance

X. ± 0.5	角度	± 5°
.X ± 0.3		
.XX ± 0.2		
.XXX ± 0.1		

TITLE

RJAG-8P8CSS4LBB-A89 包裝圖

DRAWN

Jacky

DATE

11-14-22'

NO.

T183

CHECK

Tom

DATE

11-14-22'

PART NO.

RJAG-8P8CSS4LBB-A89

APPROVED

Tom

DATE

11-14-22'

CUSTOMER NO.

REV.	UNIT	SCALE	
A	mm	1:1	

(Q2-R03-01A) ST-R05-07